

STRIPES planter

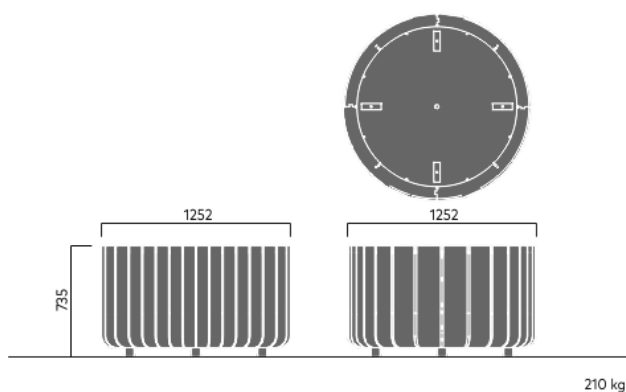
3674

Designed by
Lars Tornøe

Stripes planter comes in various sizes and can be used on its own, in groups or in conjunction with the STRIPES bench. The liner is made from steel and can be supplied with a watering system.



AWARD FOR DESIGN EXCELLENCE



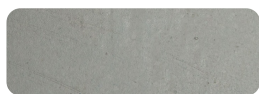
Anchoring/assembly

Free-standing/mounted to the ground

Primary material

Hot-dip galvanised steel

All steel components are hot-dip galvanised, which produces a matt grey surface after a while. We offer a lifetime anti-rust warranty.



4 mm

Sustainability

Indicators	Global warming	Total energy used	Recycled materials
Unit	kg CO2	MJ	%
Cradle to Gate A1-A3	734.49	10230.49	2.69

Certifications



Warranty

- Lifetime warranty against rust
- 15 year warranty on powder coating
- 15 year warranty on wood
- Spare parts always available