

# STRIPES planter

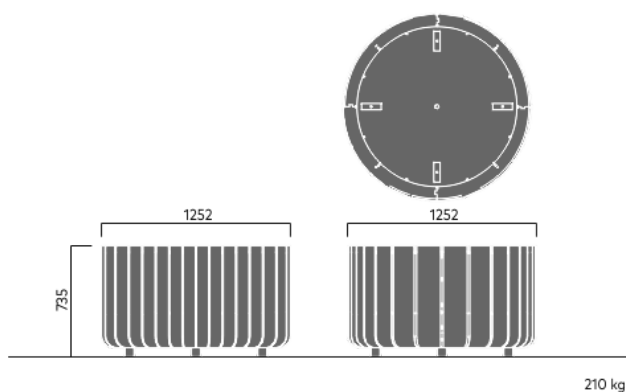
3674

Designed by  
Lars Tornøe

Stripes planter comes in various sizes and can be used on its own, in groups or in conjunction with the STRIPES bench. The liner is made from steel and can be supplied with a watering system.



AWARD FOR DESIGN EXCELLENCE



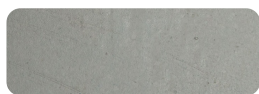
## Anchoring/assembly

Free-standing/mounted to the ground

## Primary material

Hot-dip galvanised steel

All steel components are hot-dip galvanised, which produces a matt grey surface after a while. We offer a lifetime anti-rust warranty.



4 mm

## Sustainability

Indicators	Global warming	Total energy used	Recycled materials
Unit	kg CO2	MJ	%
Cradle to Gate A1-A3	734.49	10230.49	2.69

## Certifications



## Warranty

- Lifetime warranty against rust
- 15 year warranty on powder coating
- 15 year warranty on wood
- Spare parts always available

## Additional features on request

- Swivel
  Modular
  ADA
  USB
  LED
  HC
  Antigraff
  Water system
  Lifting hook
  Caster