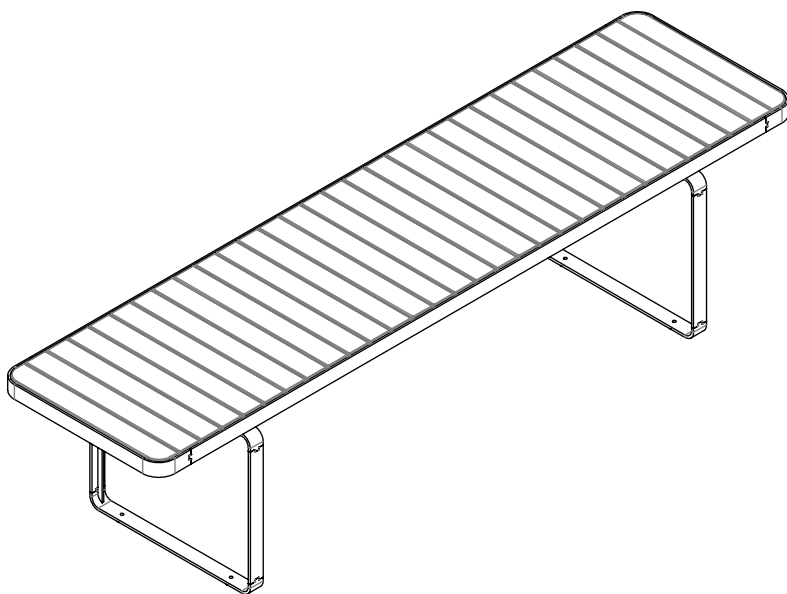


vestre

Forum

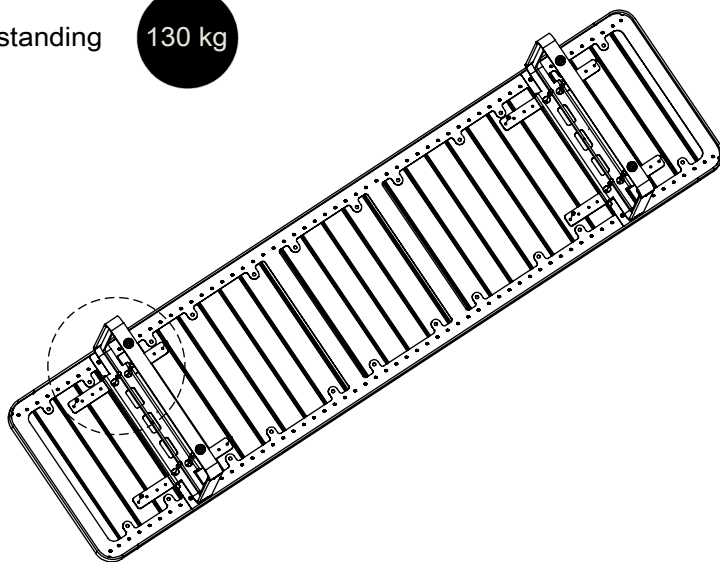
Article no: 2536



130 Kg

Freestanding

130 kg



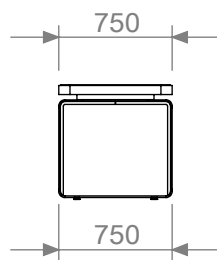
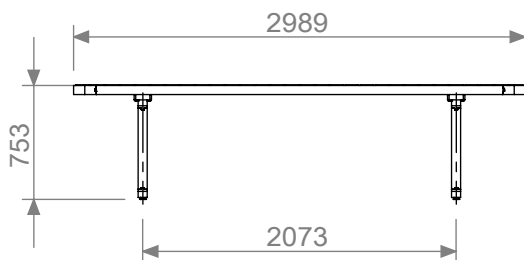
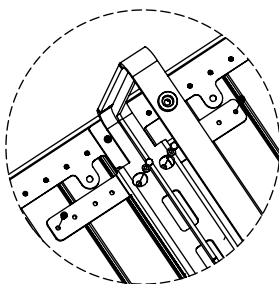
8 x M8



8 x M8



8 x $\varnothing 6,3 \times 35$



Type A - Baseplate

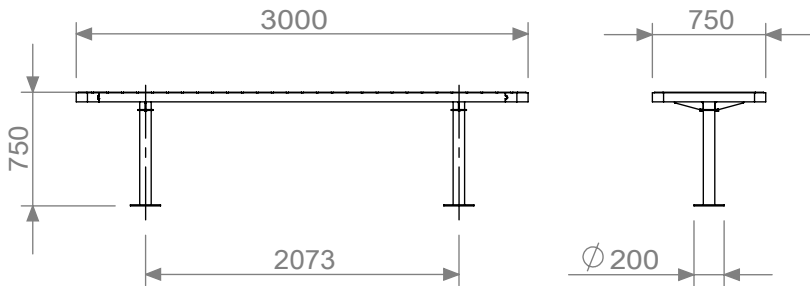
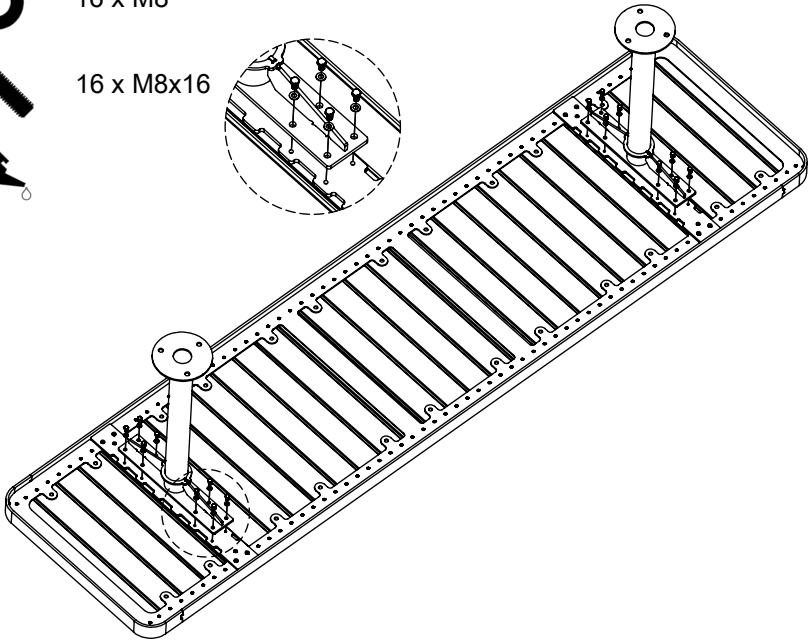
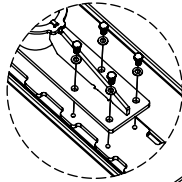
97 kg



16 x M8

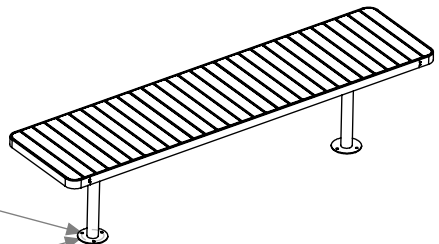


16 x M8x16



3x $\varnothing 14$

$\varnothing 150$



Type C - Casting in the ground

99 kg



16 x M8



16 x M8x16

