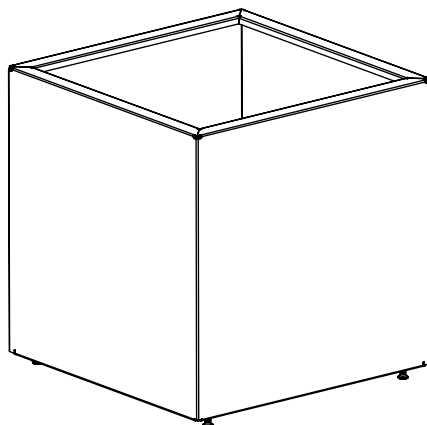
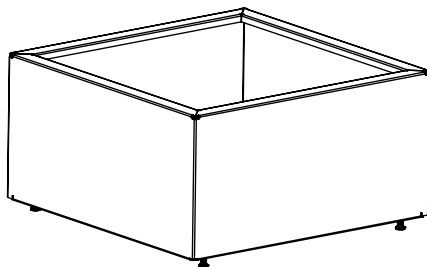


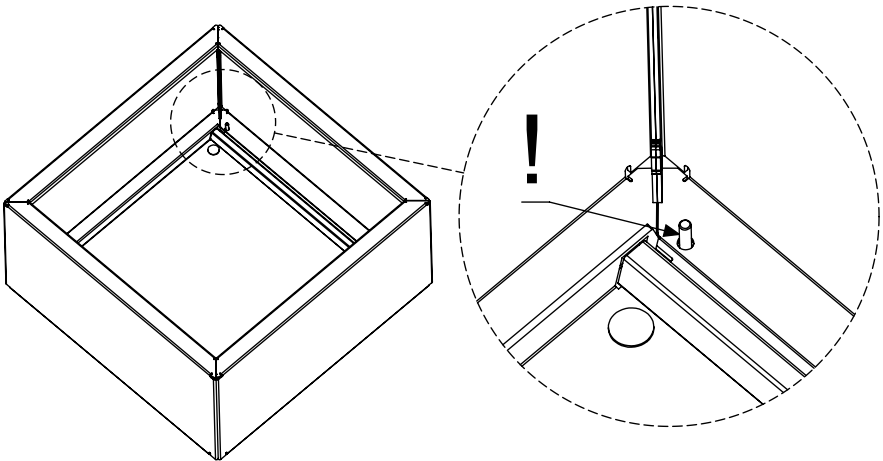
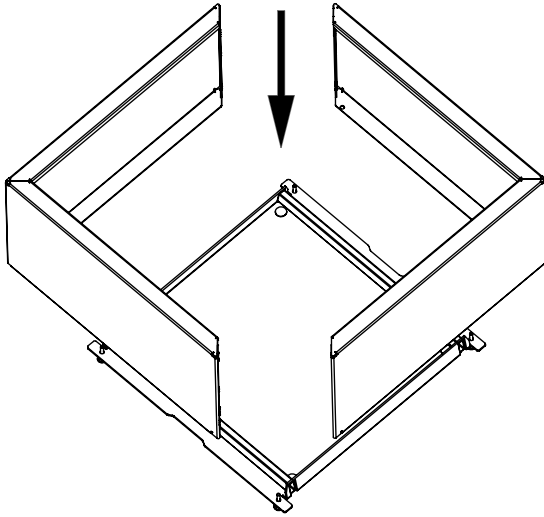
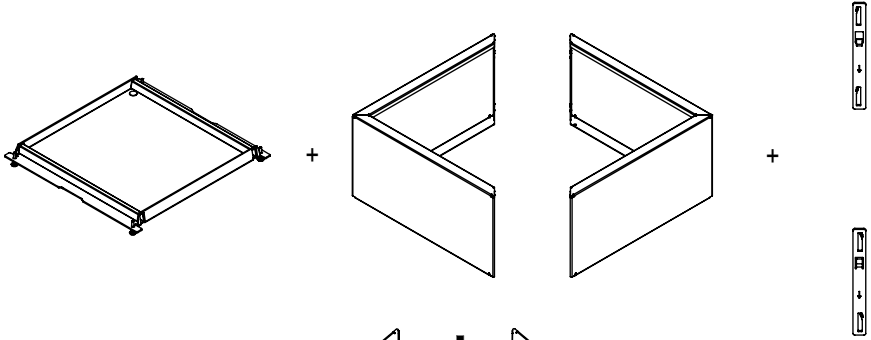
vestre

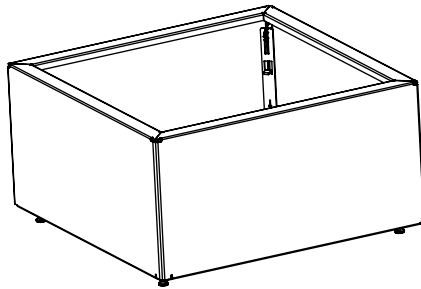
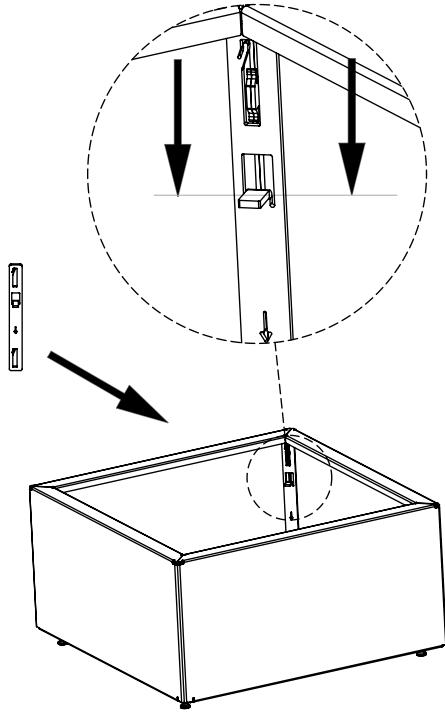
Code

Planter

Article no: 2640, 2646

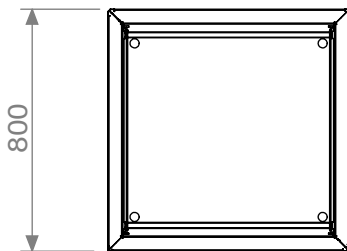
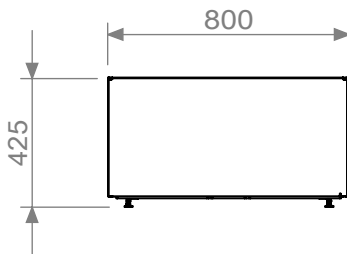






Art no. 2640
Planter

64 Kg



Art no. 2646
Planter

96 Kg

