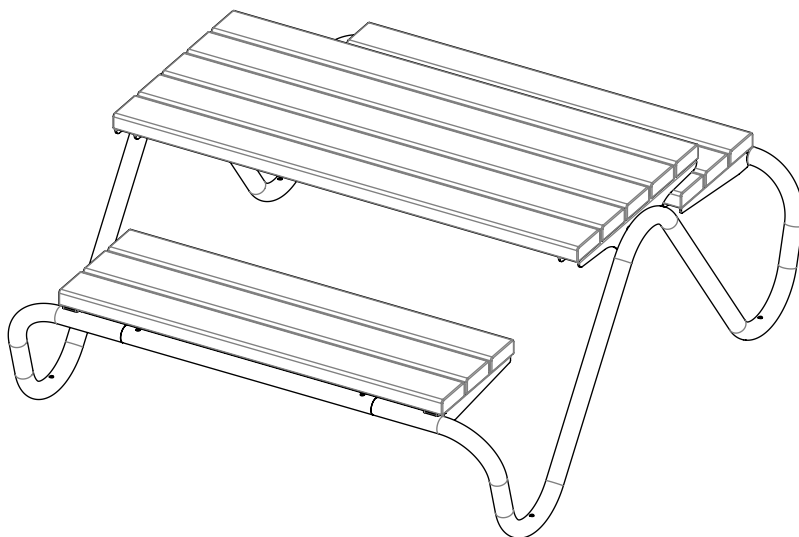


vestre

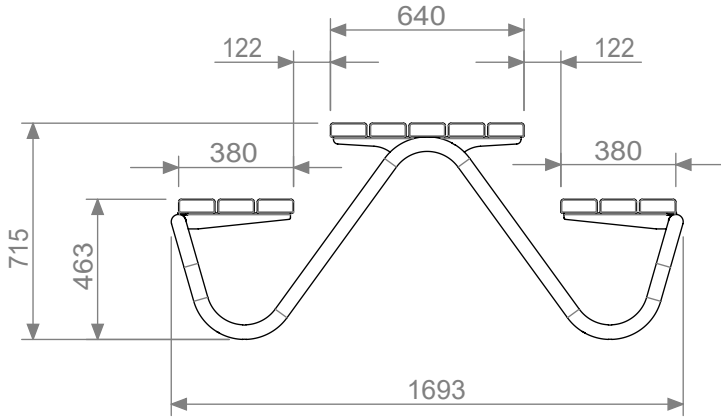
# Hvilan

Picnic Table

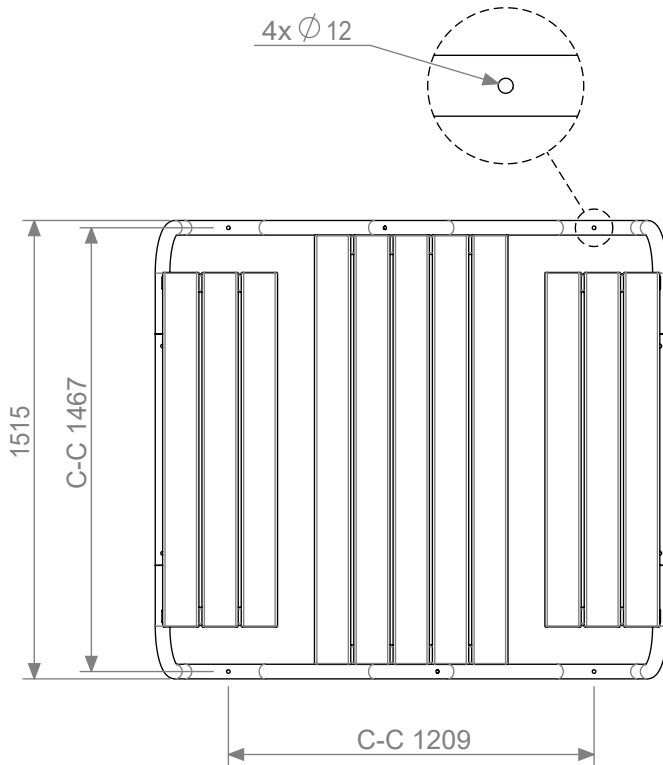
Article no: 122

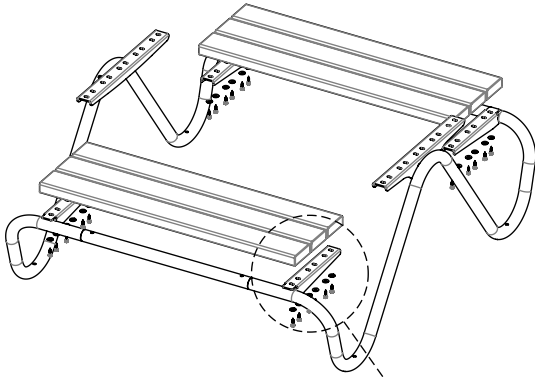


68 Kg



Note: Product is to be anchored

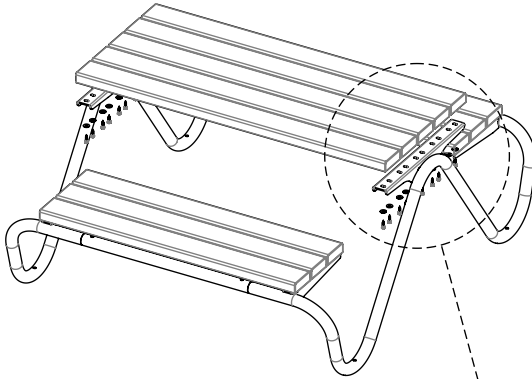
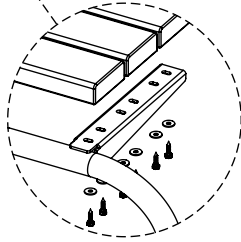




24x T6S 8x30



24x BRB 8,4x24x2



20x T6S 8x30



20x BRB 8,4x24x2

