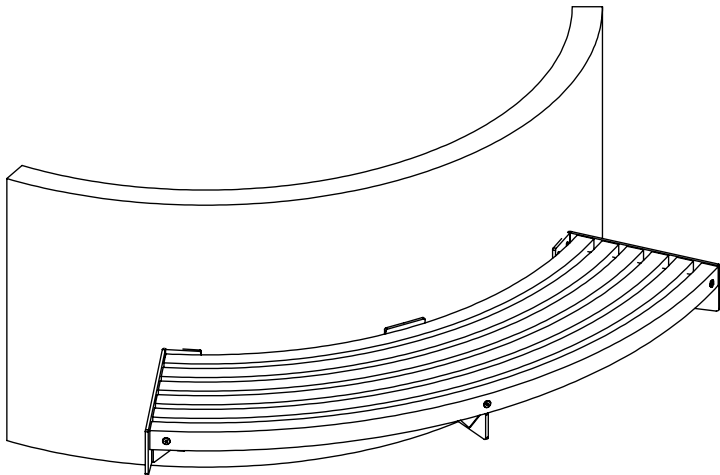




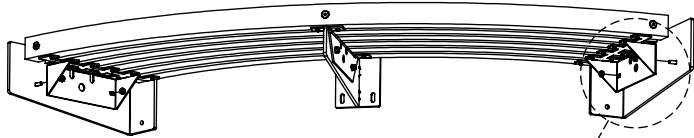
# Via

Bench curved, wall mounted

Article no: 1308B



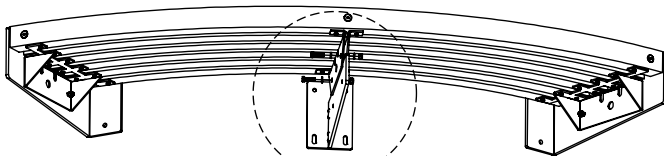
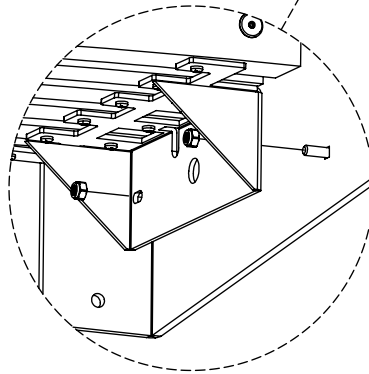
56 Kg



4x M10x35



4x M10



2x M10x35



4x M10



2x M10

