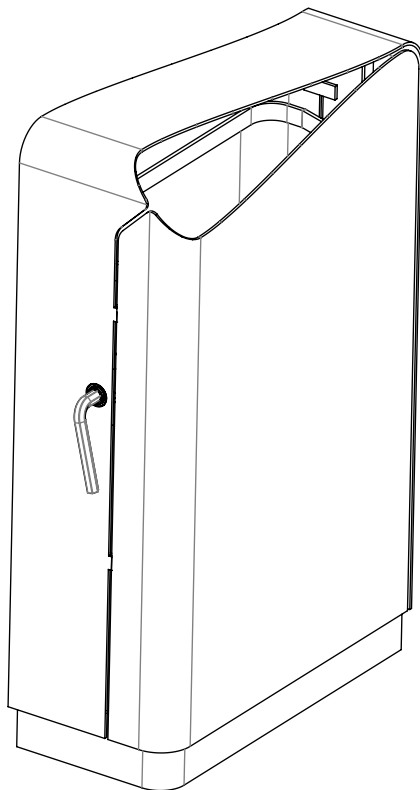


vestre

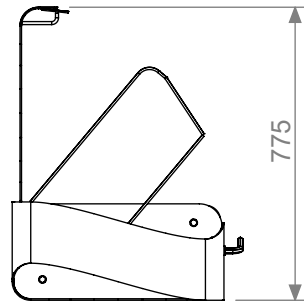
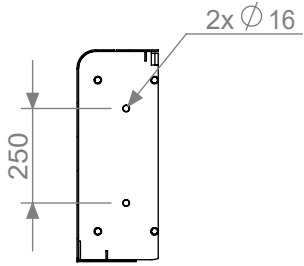
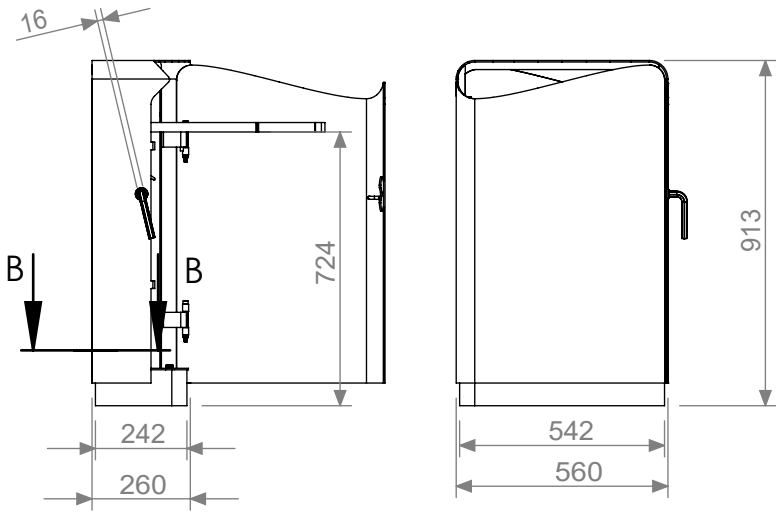
Dialog

Litter bin

Article no:1442



80 Kg



SECTION B-B

