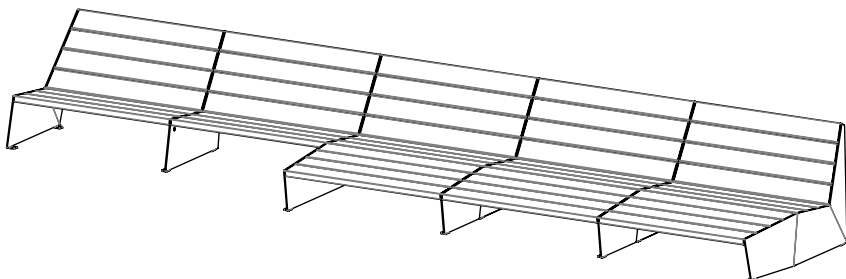
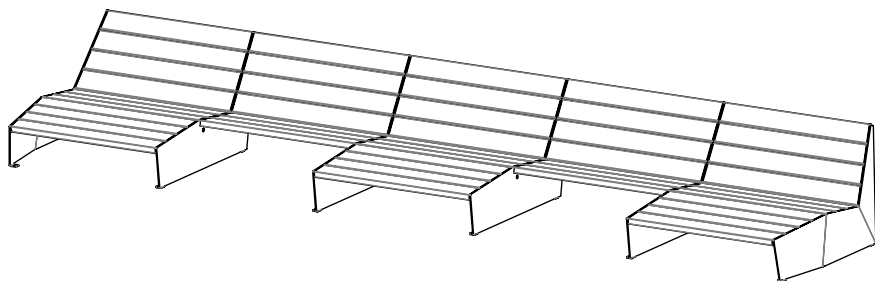
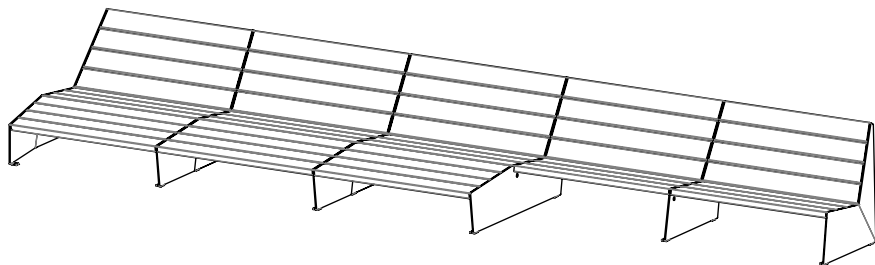



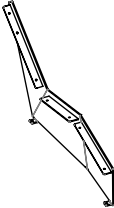

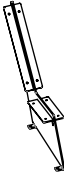

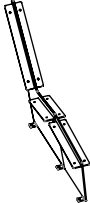

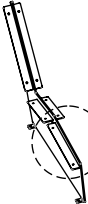

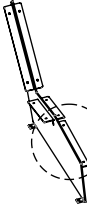


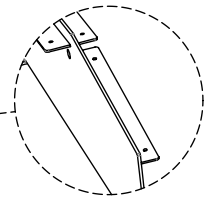
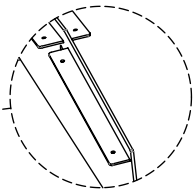
vestre

Bloc

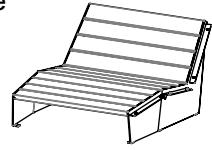
Sun bench, modular system











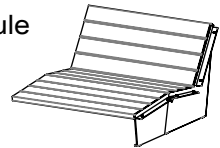






Start module



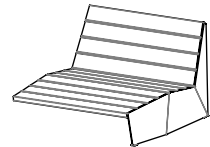
		Article nr.	Weight	
	+		1567	137 kg
	+		1577	74 kg
	+		1567K	114 kg
	+		1577K	87 kg



Add on module

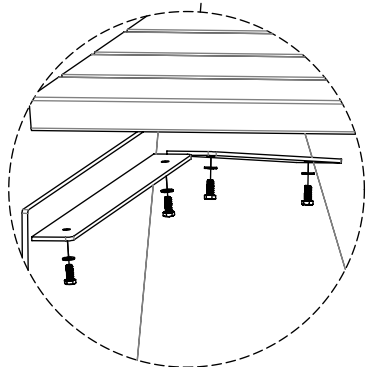
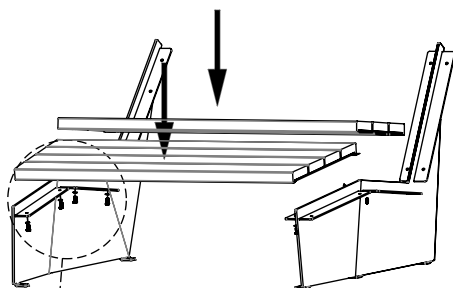
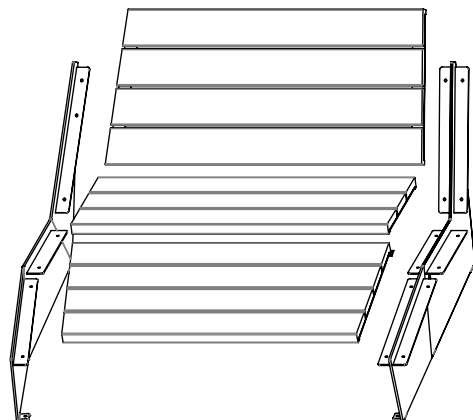


	1568	100 kg
	1578	51 kg
	1568K	78 kg
	1578K	64 kg

End module



	1569	75 kg
	1579	48 kg

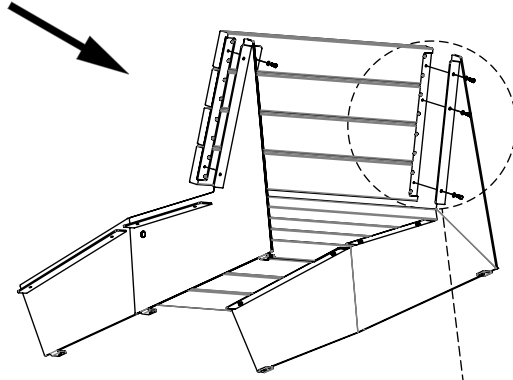


8x M6S M8x20



8x BRB M8 8,4x16x1,6

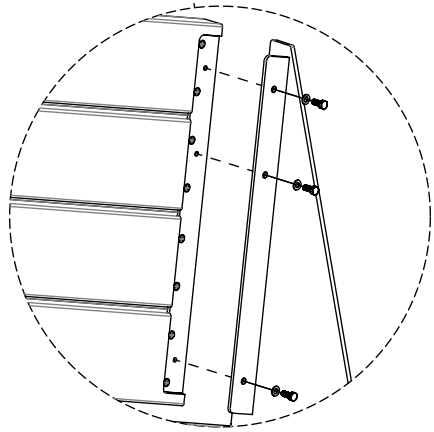


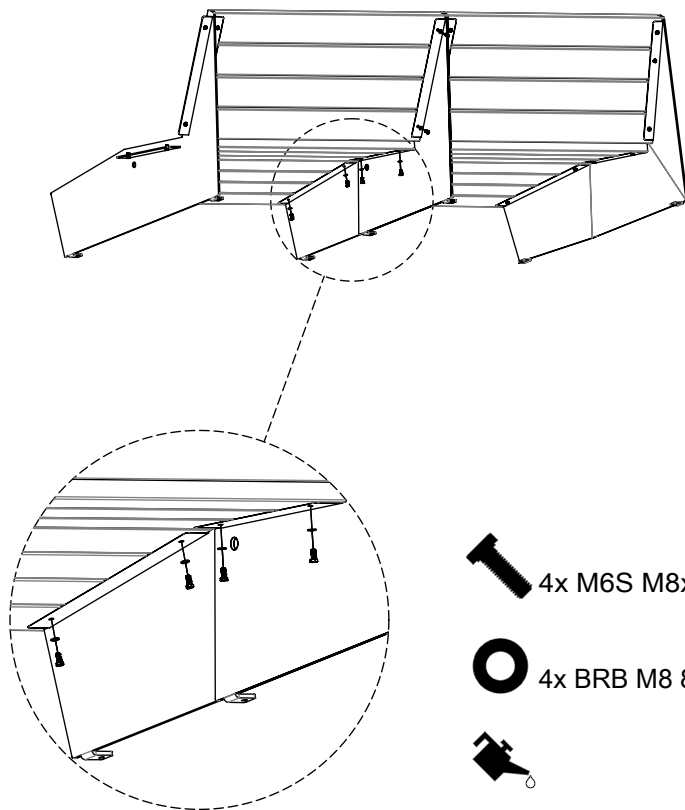
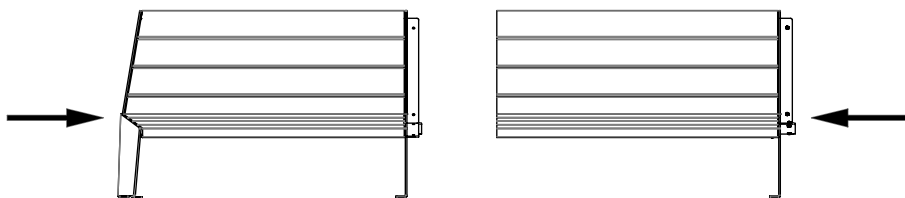



5x M6S M8x20




5x BRB M8 8,4x16x1,6





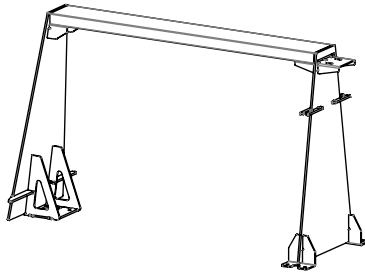
 4x M6S M8x20

 4x BRB M8 8,4x16x1,6



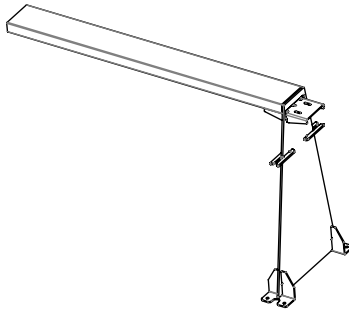
Bloc sun bench back connection

Start module
1561



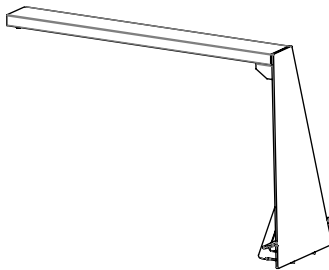
39 kg

Add on module
1562

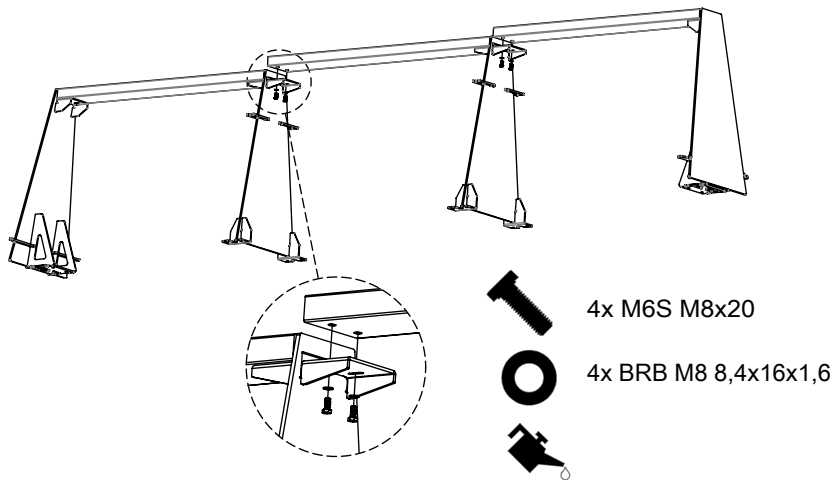
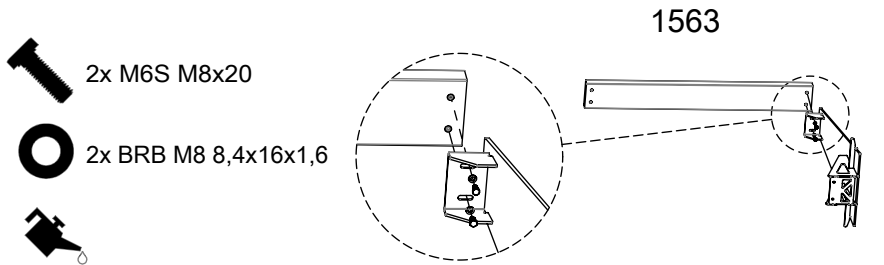
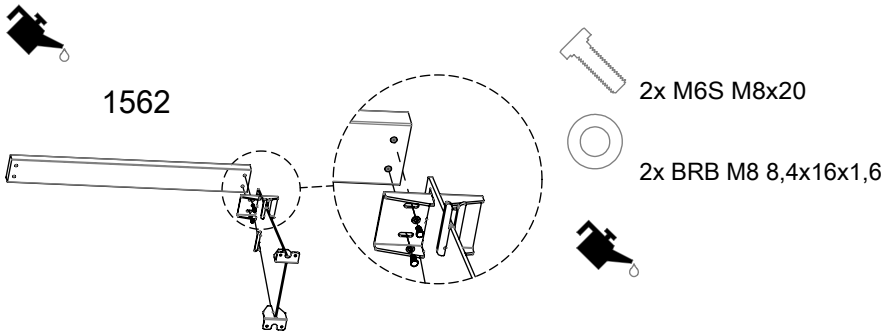
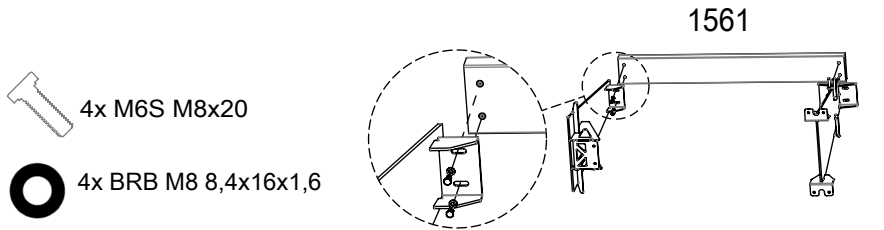


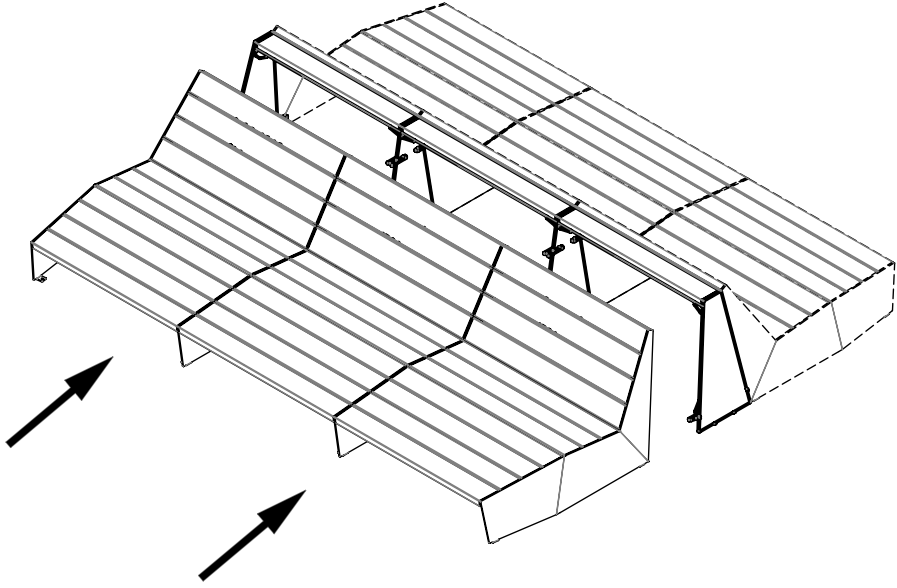
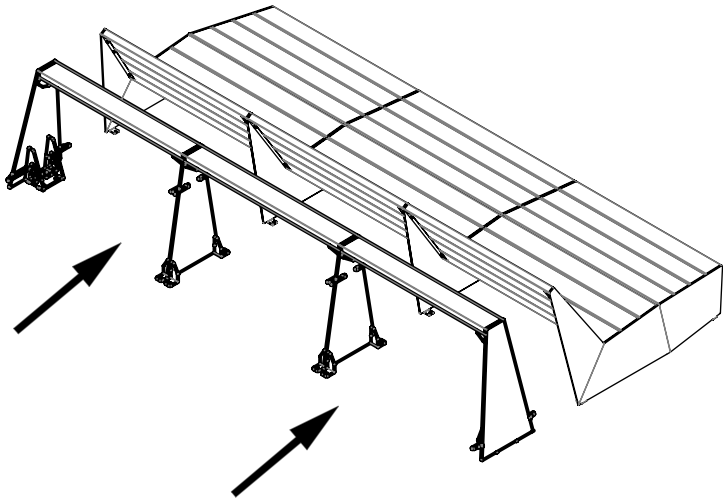
21 kg

End module
1563

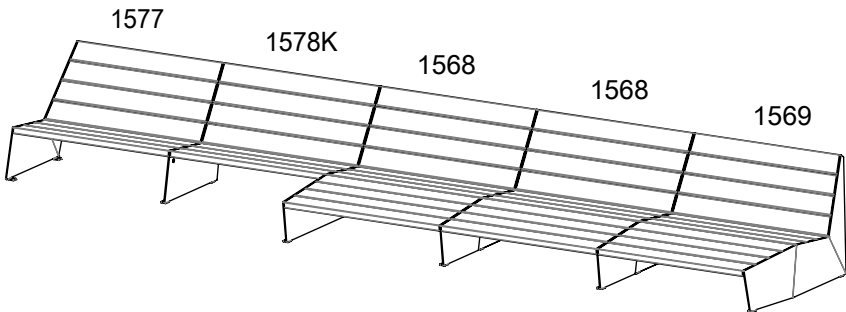
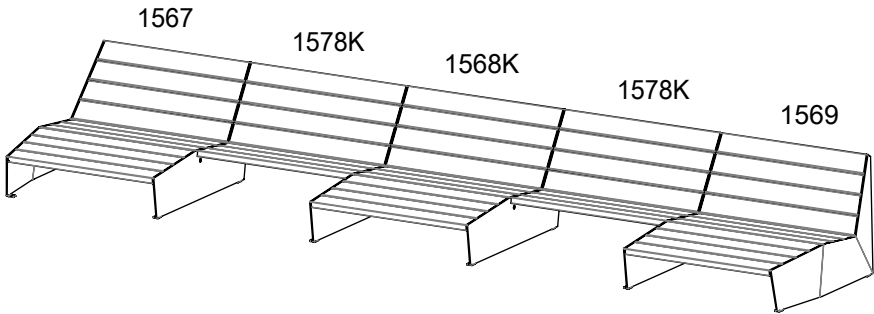
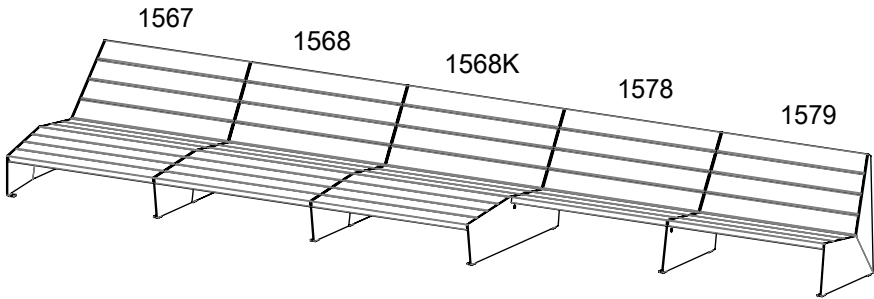


21 kg

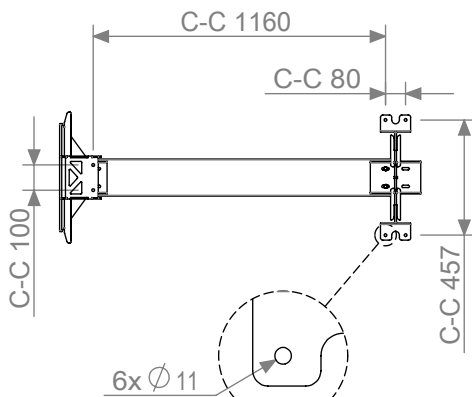
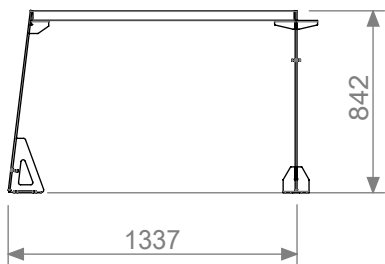




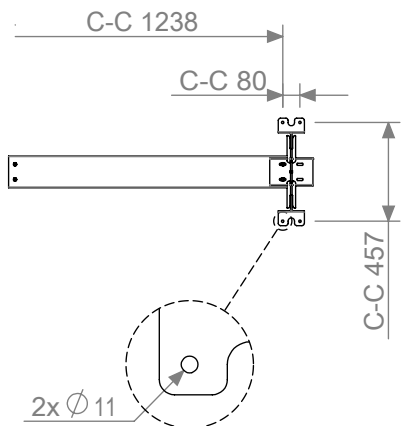
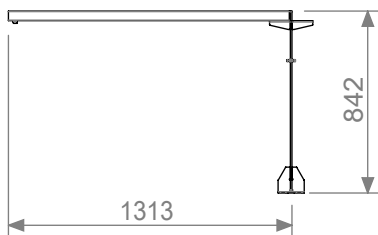
system example



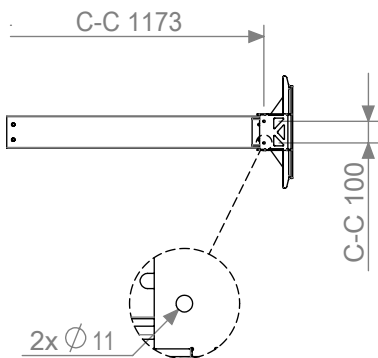
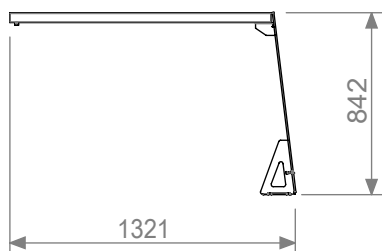
Start module
1561



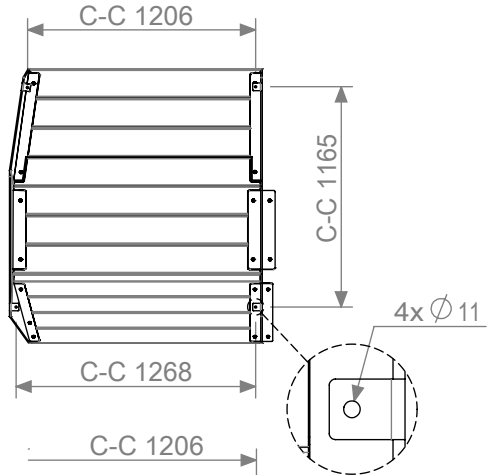
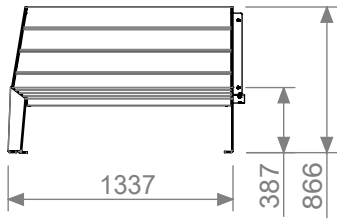
Add on module
1562



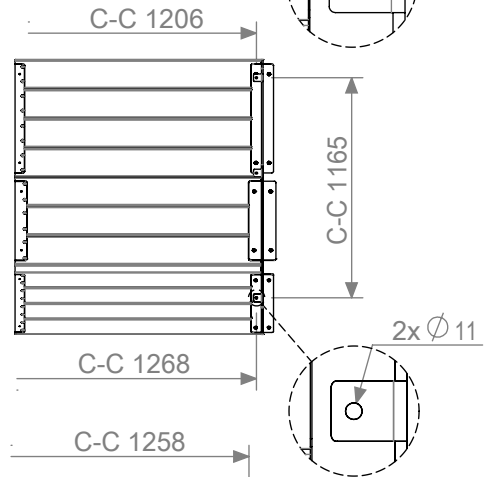
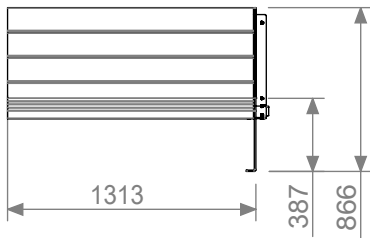
End module
1563



Start module



Add on module



End module

