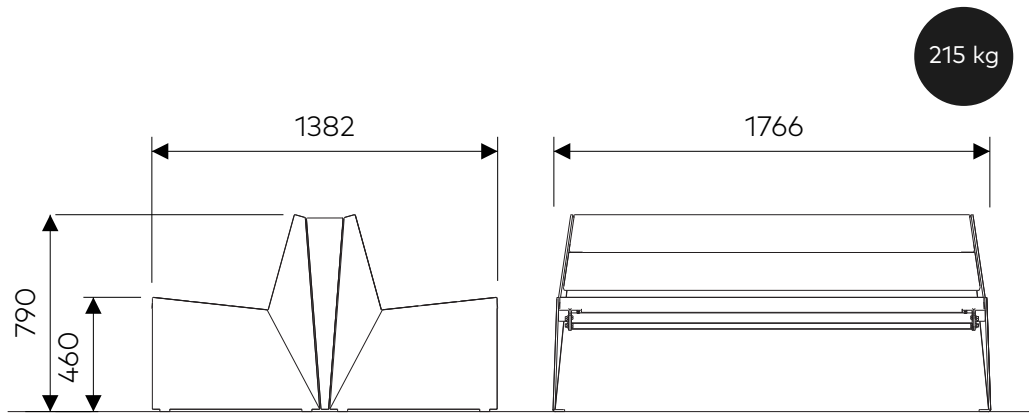
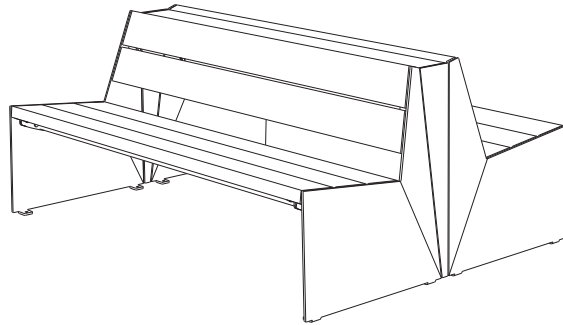


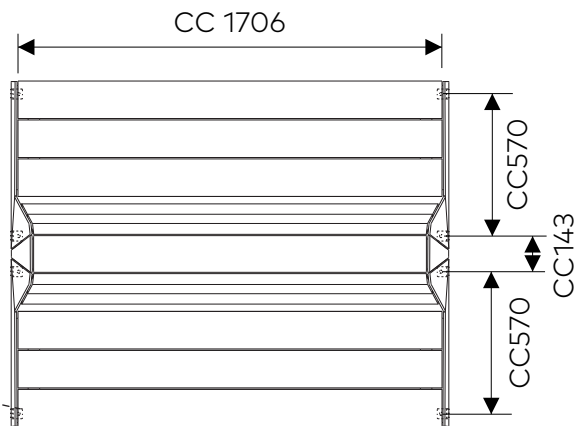


# Bloc

Art.nr: 2X 1516  
+ 1570



215 kg



Optional anchoring.

