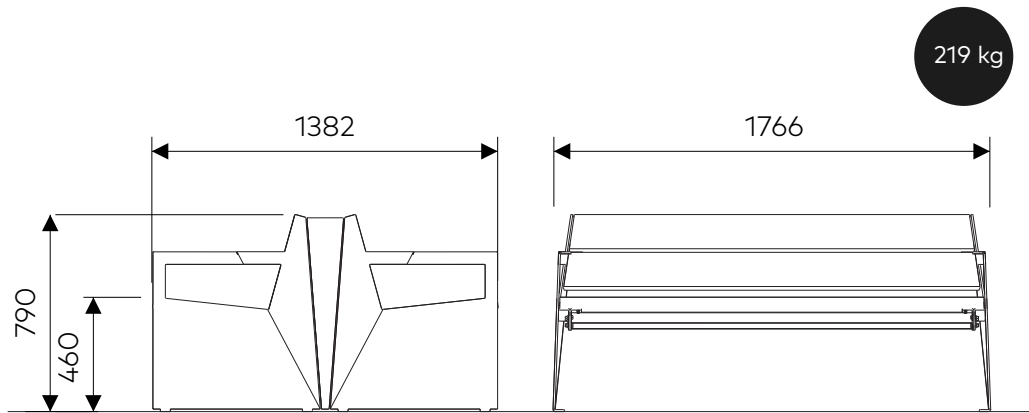
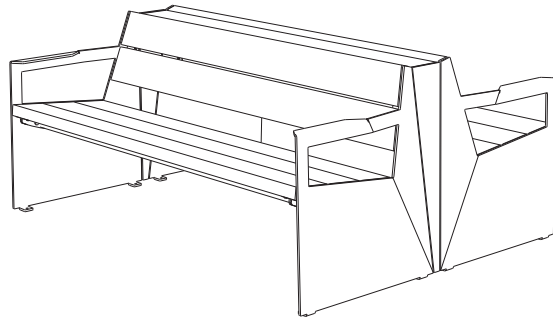


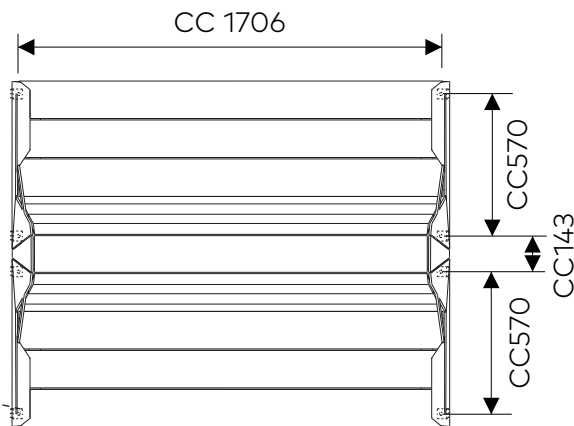


Bloc

Art.nr: 2X 1517
+ 1570



219 kg



Optional anchoring.

