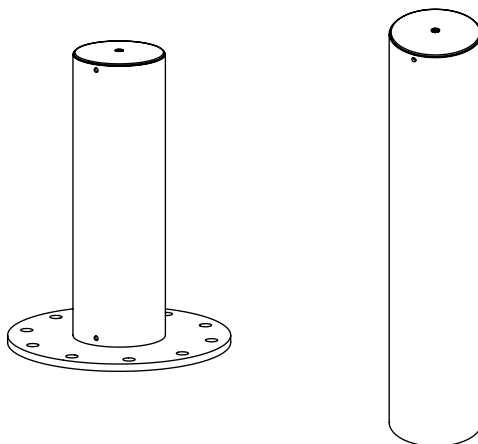


vestre

Hvilan

Bollard, type A & C

Article no: 185A



75 Kg

Anchoring of type A, fasteners not supplied by Vestre



10x M30, length 620mm, class 8.8 MIN



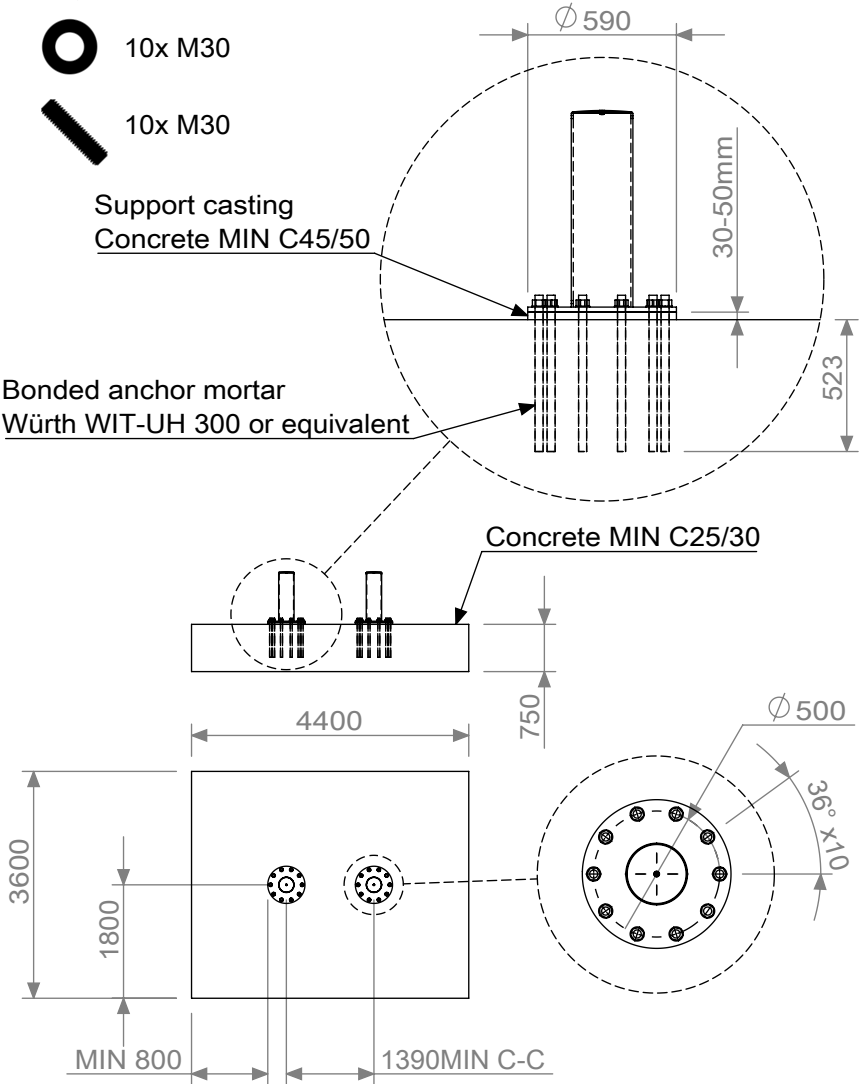
10x M30



10x M30

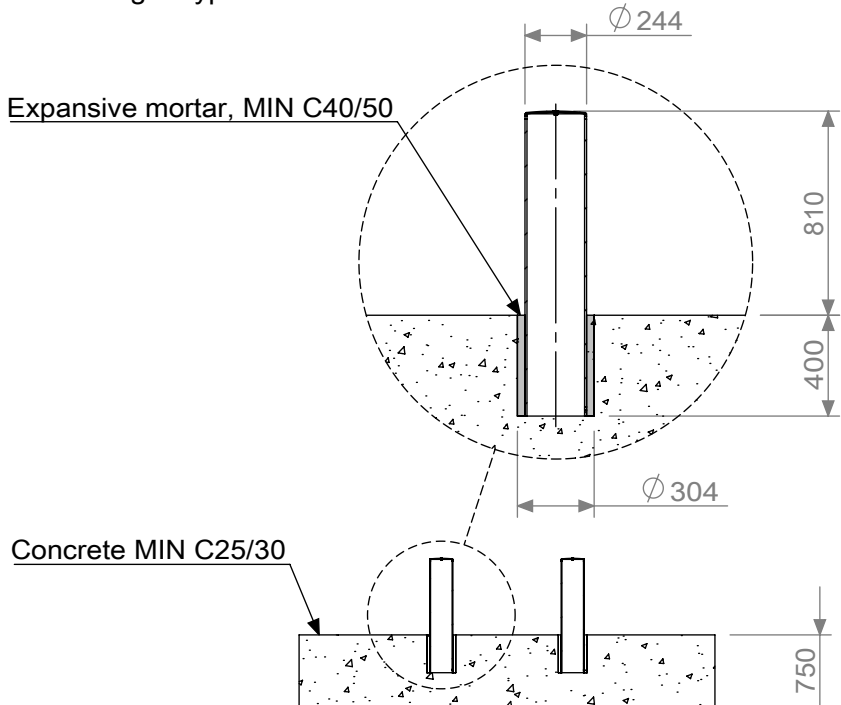
Support casting
Concrete MIN C45/50

Bonded anchor mortar
Würth WIT-UH 300 or equivalent

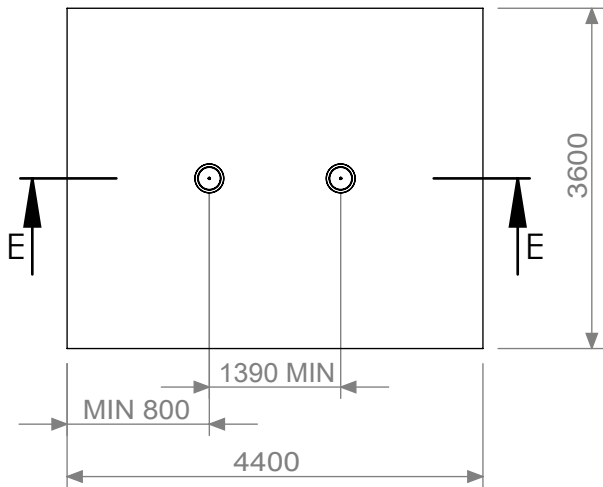


Single bollard foundation: 3600x3600x750

Anchoring of type C



SECTION E-E



Single bollard foundation: 3600x3600x750

