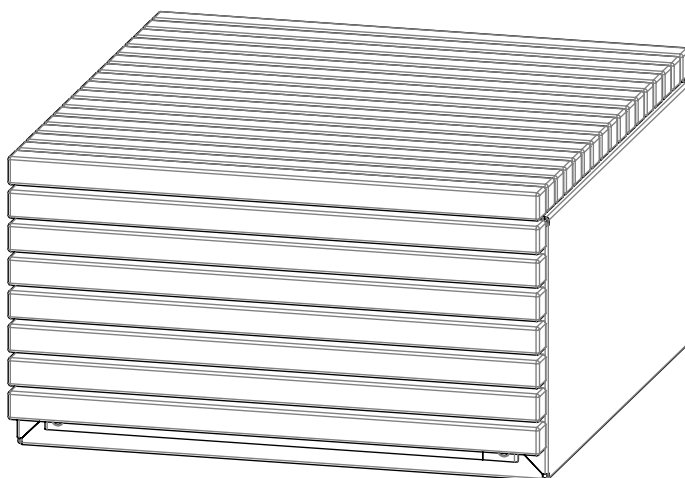


vestre

Code Square

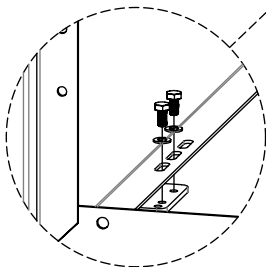
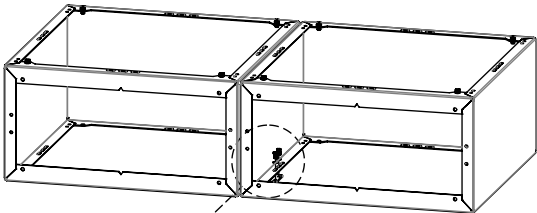
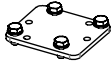
Modulbench

Article no: 2616



50 Kg

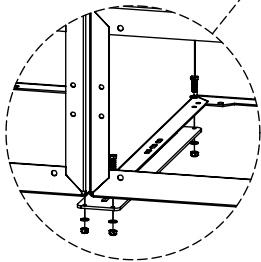
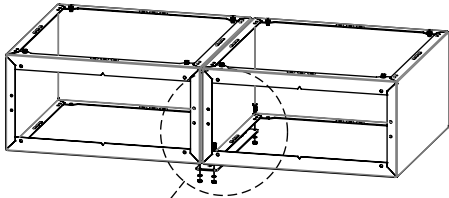
Combining modules
with connection



4x M6S M8x16



4x BRB M8



4x M6S M8x16



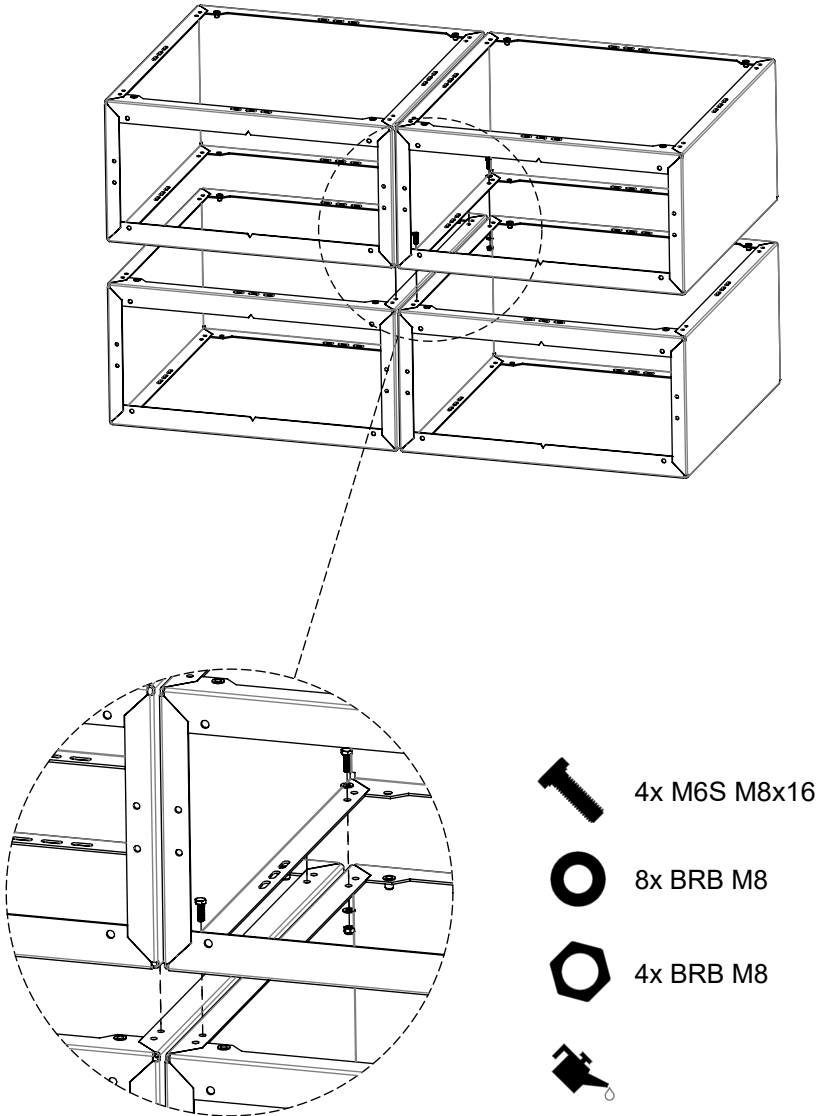
8x BRB M8



4x BRB M8



Combining modules

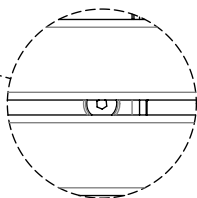
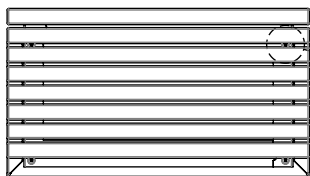
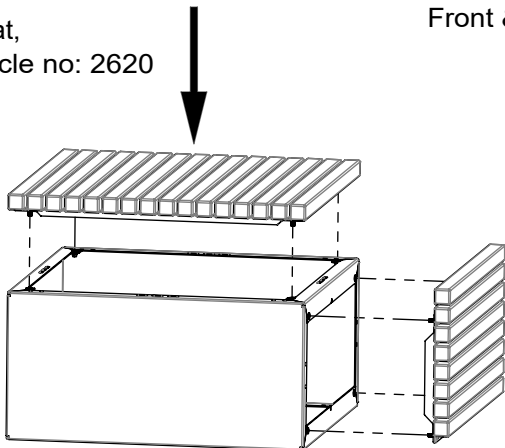


Seat,
article no: 2620

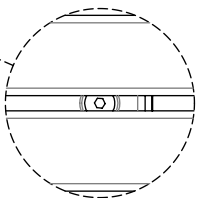
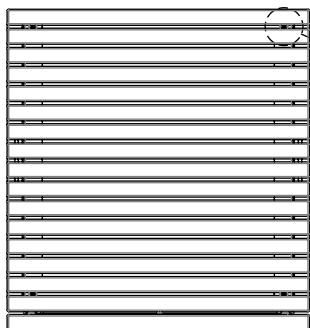
Front & seat mounting

Base module
Article no. 2617

Front,
article no: 2624



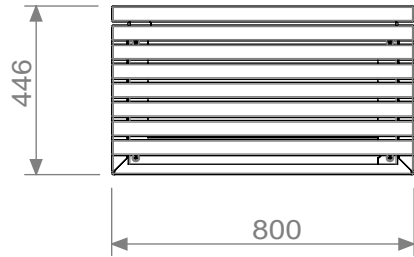
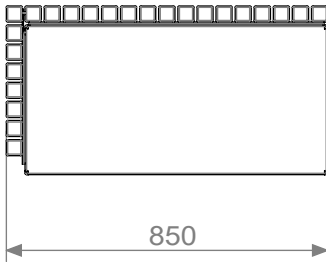
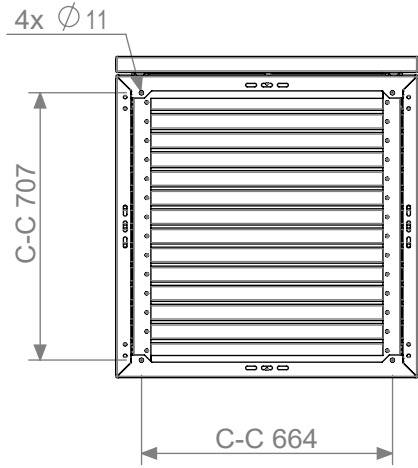
4x MF6S 8x25



4x MF6S 8x25

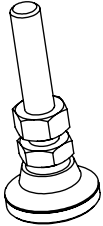


Dimensions

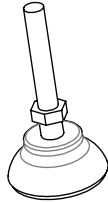


Anchor variants

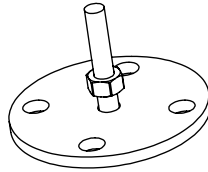
2667-901



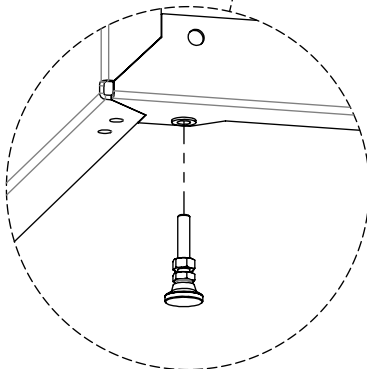
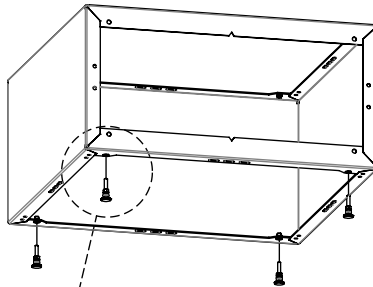
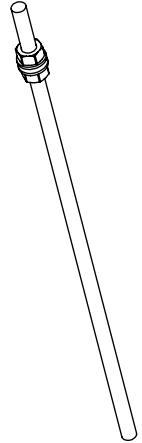
2667-902



2602



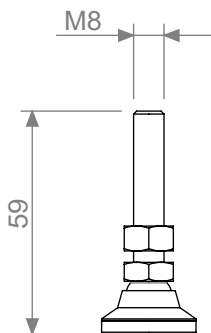
2601



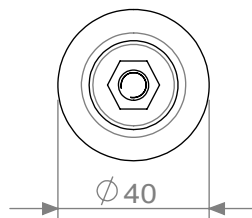
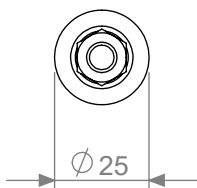
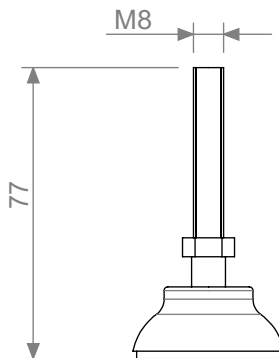
4x M6M M8



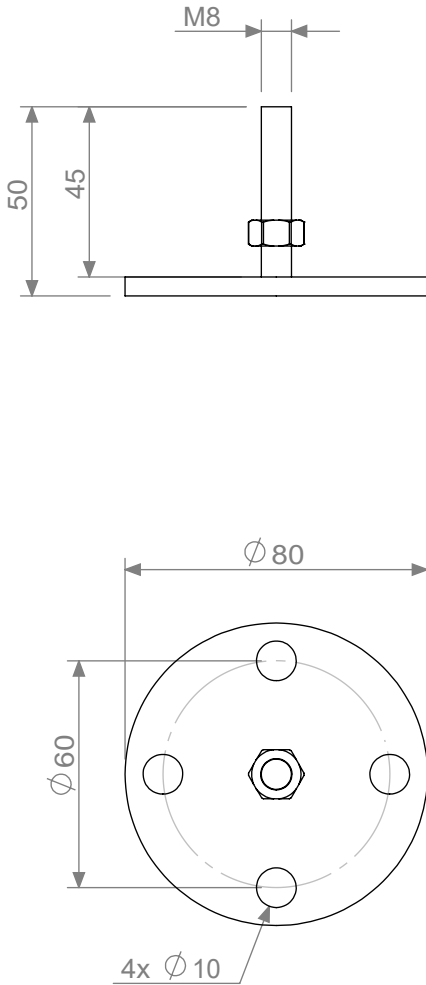
2667-901 - Freestanding
outdoors



2667-902 - Freestanding
indoor



2602 - Baseplate



2601 - Casting

