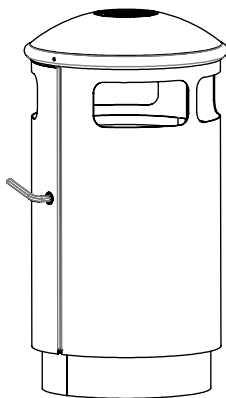
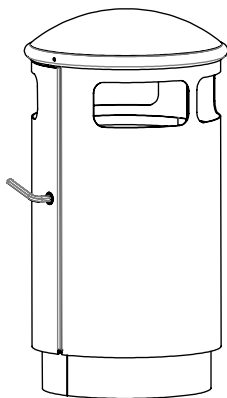


vestre

# City

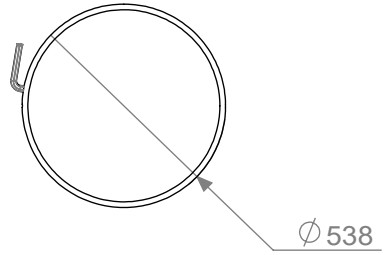
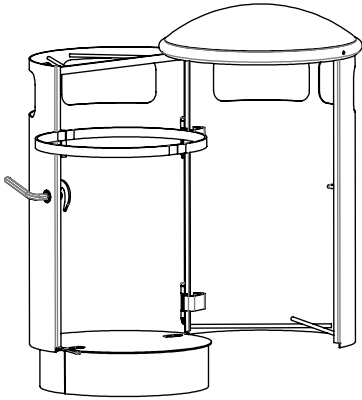
Litter bin, 150L

Article no: 277, 278



50 Kg

277



278

