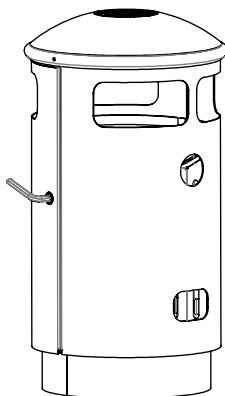
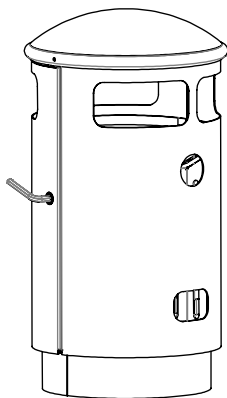


vestre

City

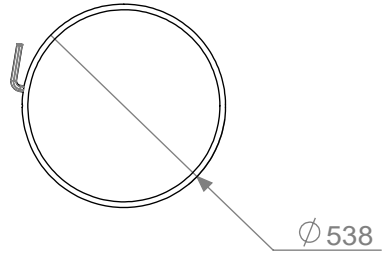
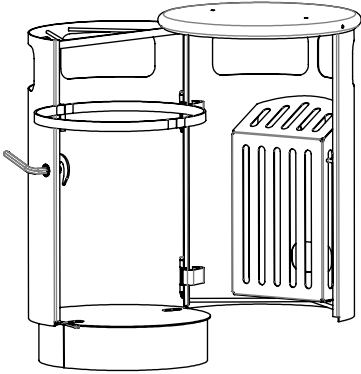
Litter bin, 150L

Article no: 279, 280



54 Kg

277



278

