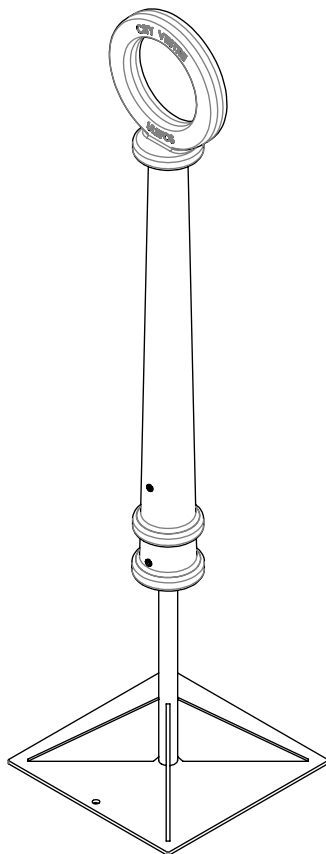


vestre

# City

Bicycle post  
Article no: 286



27 Kg

