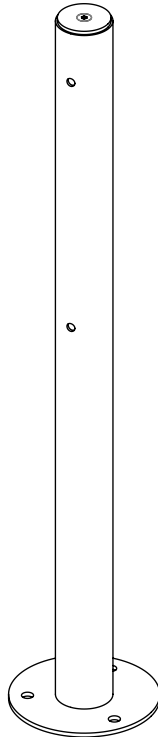


City

Mounting Pole

Article no: 292

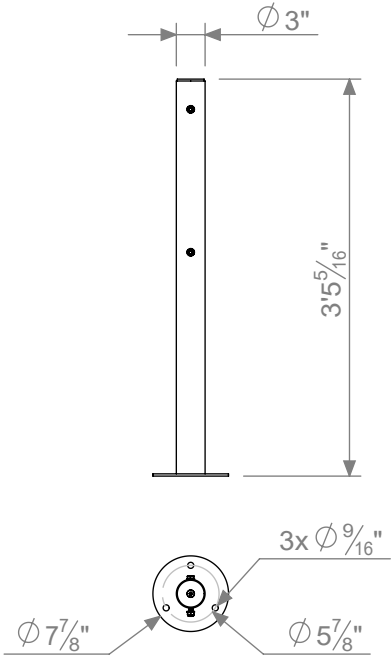
vestre



8-10Kg

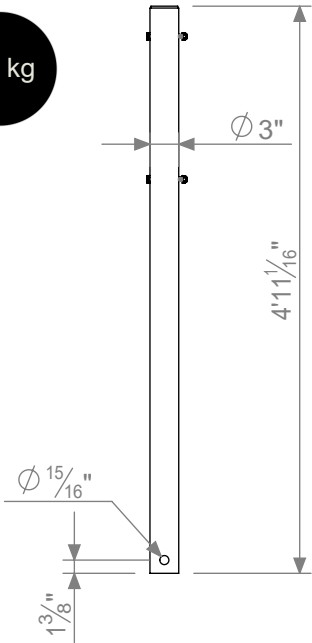
Type A - Base plate

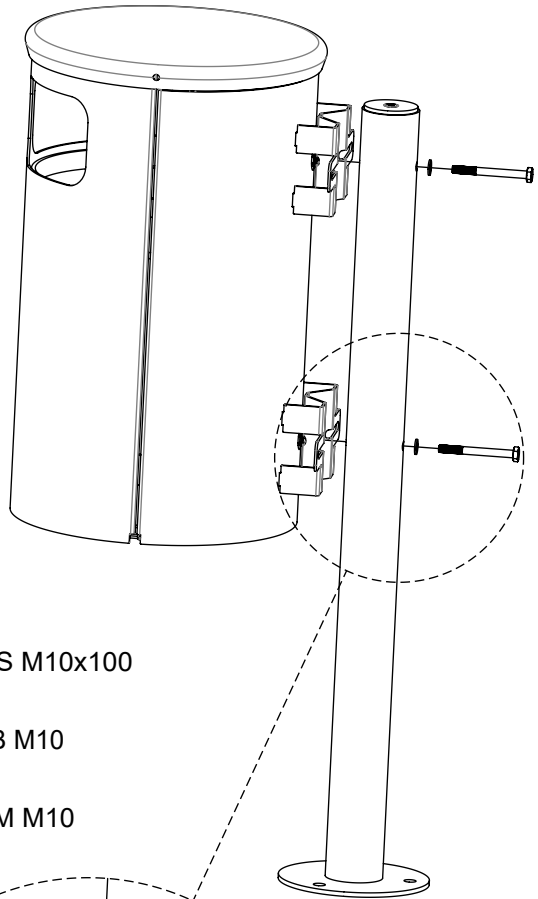
8 kg



Type C - Casting in the Ground

10 kg





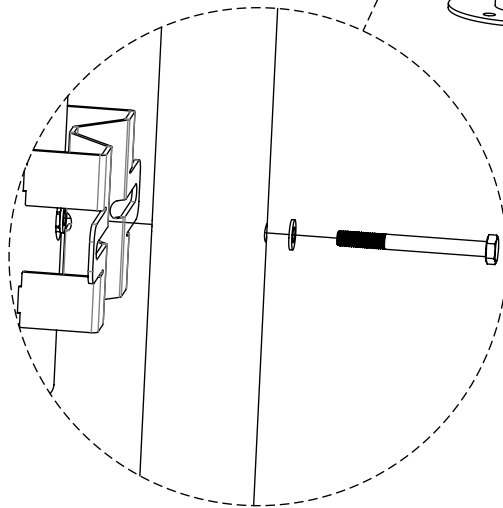
2 x M6S M10x100

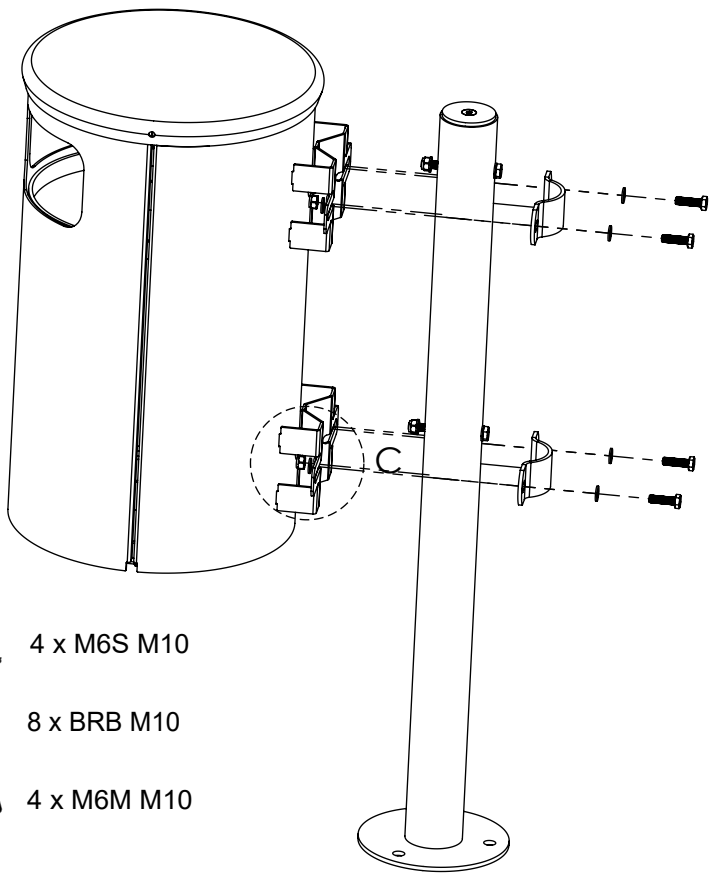


4 x BRB M10



2 x M6M M10





4 x M6S M10



8 x BRB M10



4 x M6M M10

