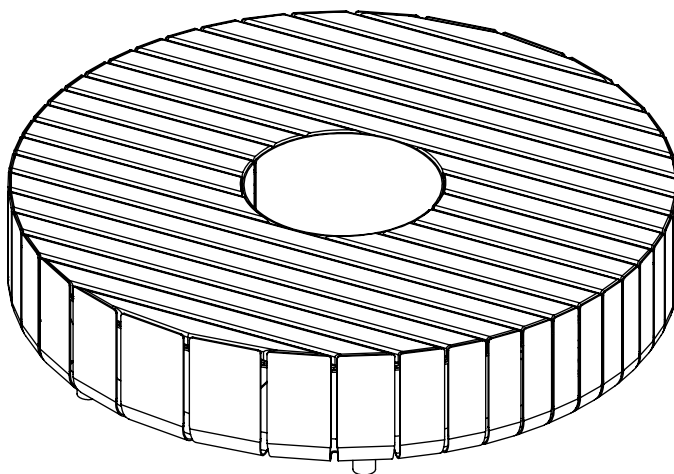


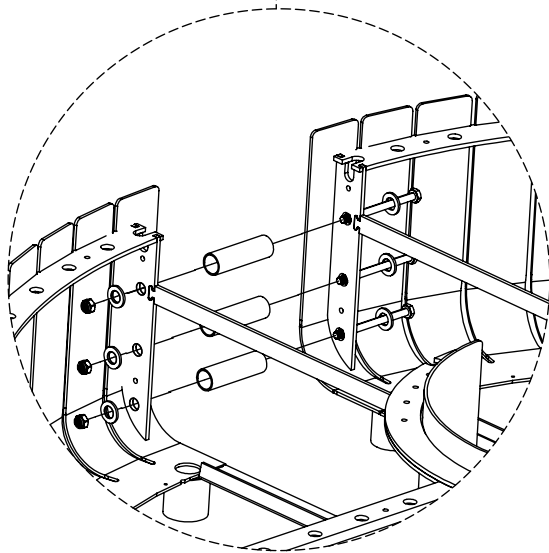
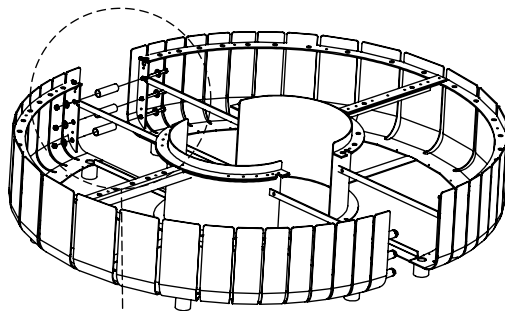
vestre





Stripes

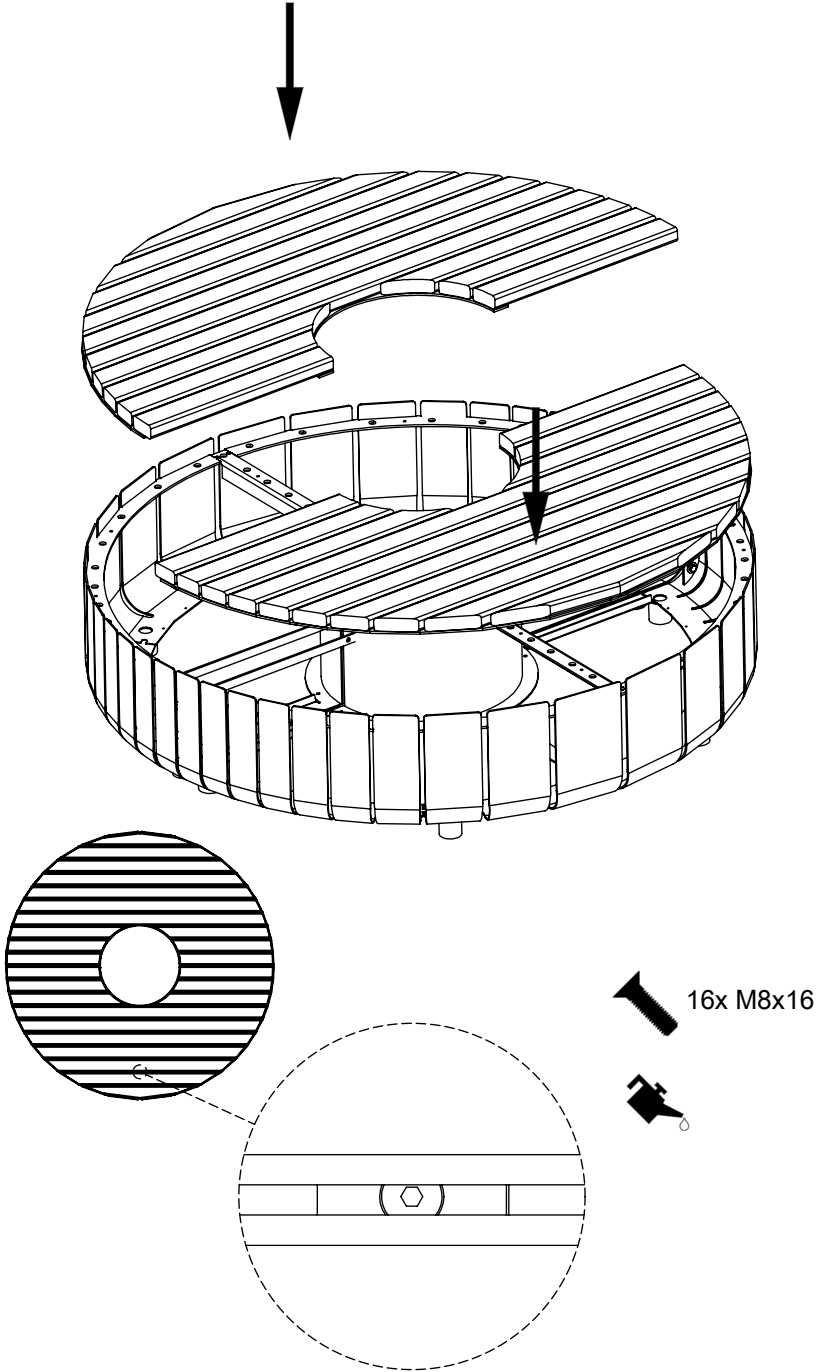
Article no: 3611M



171 Kg



-  6xM10x130
-  6x $\varnothing 17/\varnothing 30$
-  6xM10
- 



Optional anchoring:

