

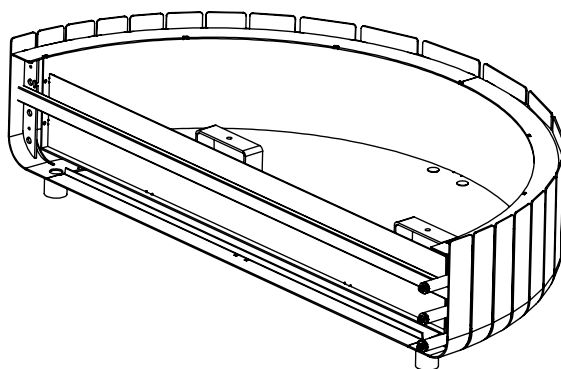
vestre

Stripes

Open half-circle planter and complete circle planter

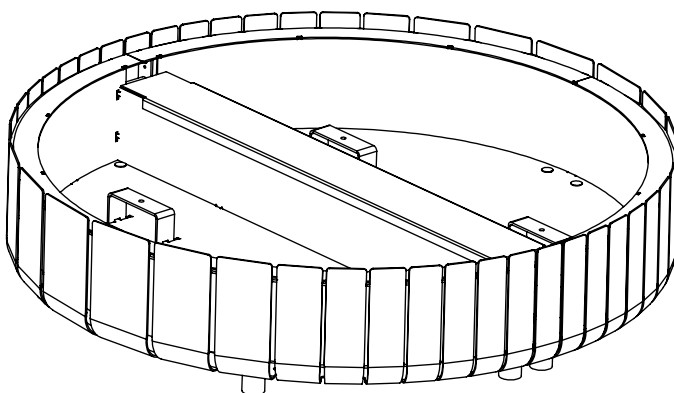
Article no: 3682 & 3684

3682

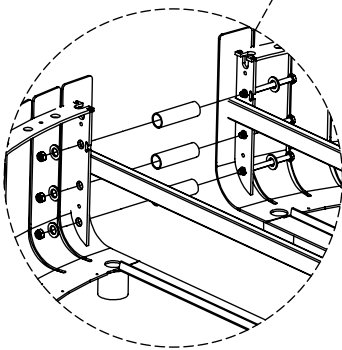
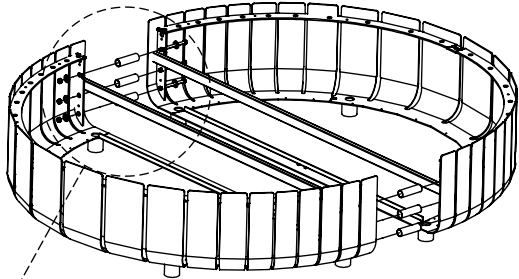
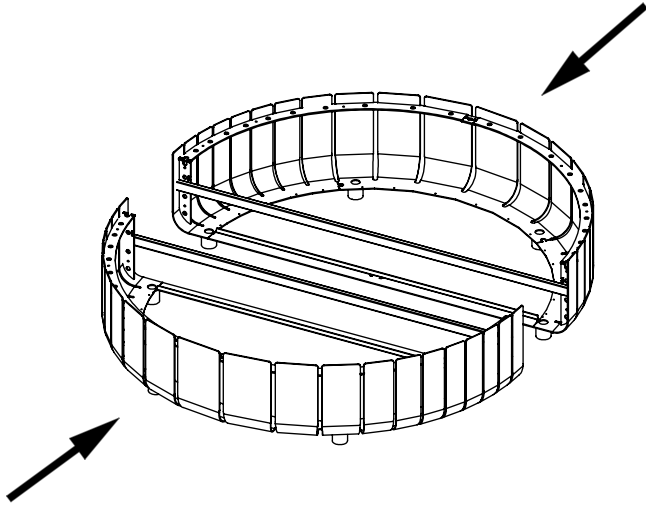



126 Kg


3684



264 Kg

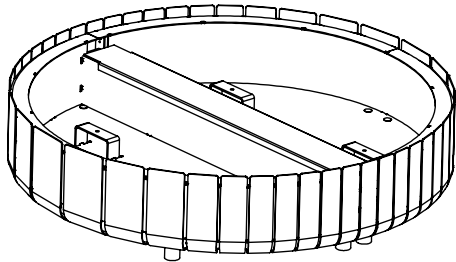
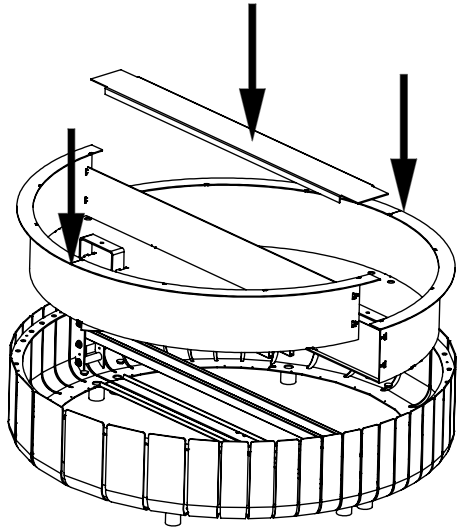


 6x M10x130

 6x $\varnothing 17/\varnothing 30$

 6x M10





Optional anchoring

