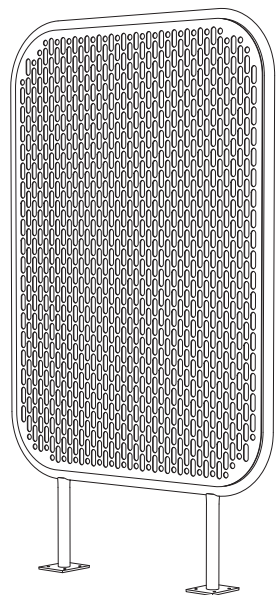


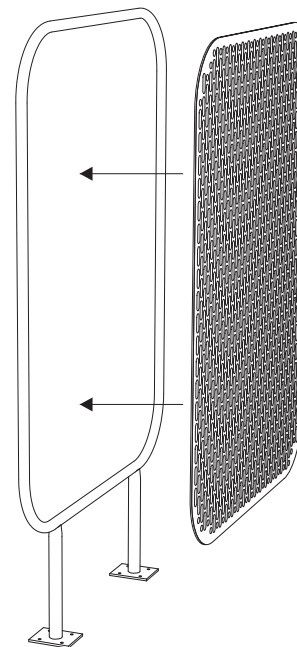
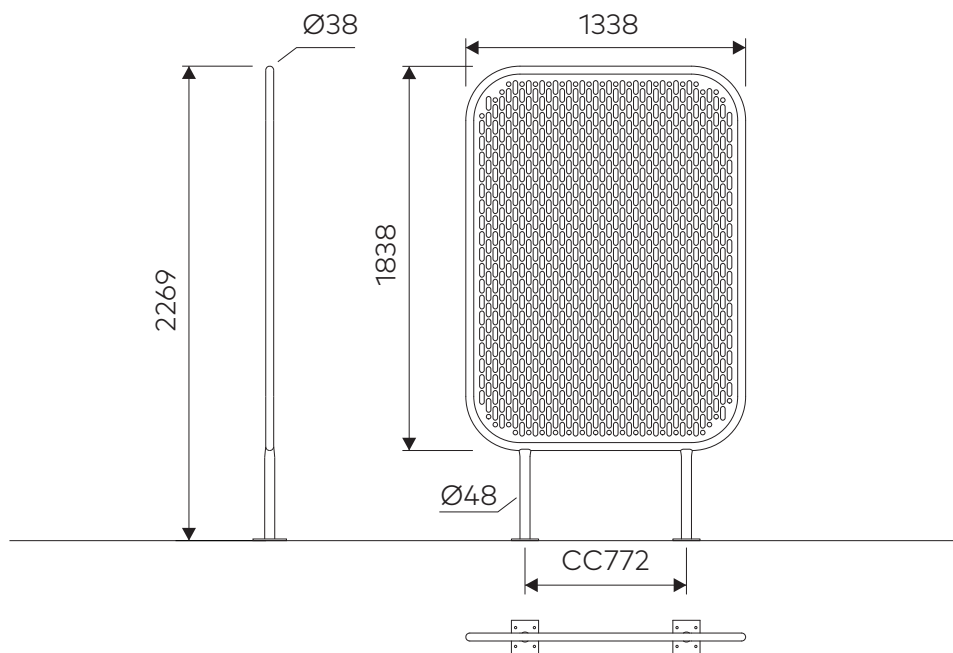
vestre

Pop

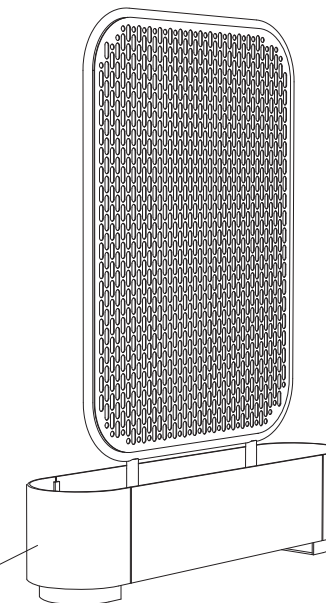
Art.nr: 3870A



25,5 kg



Delivered assembled.



Art.nr. 3884/3886

Optional anchoring.

- 8 X M8
- 8 X M8
- 8 X M8
- 16 X M8

