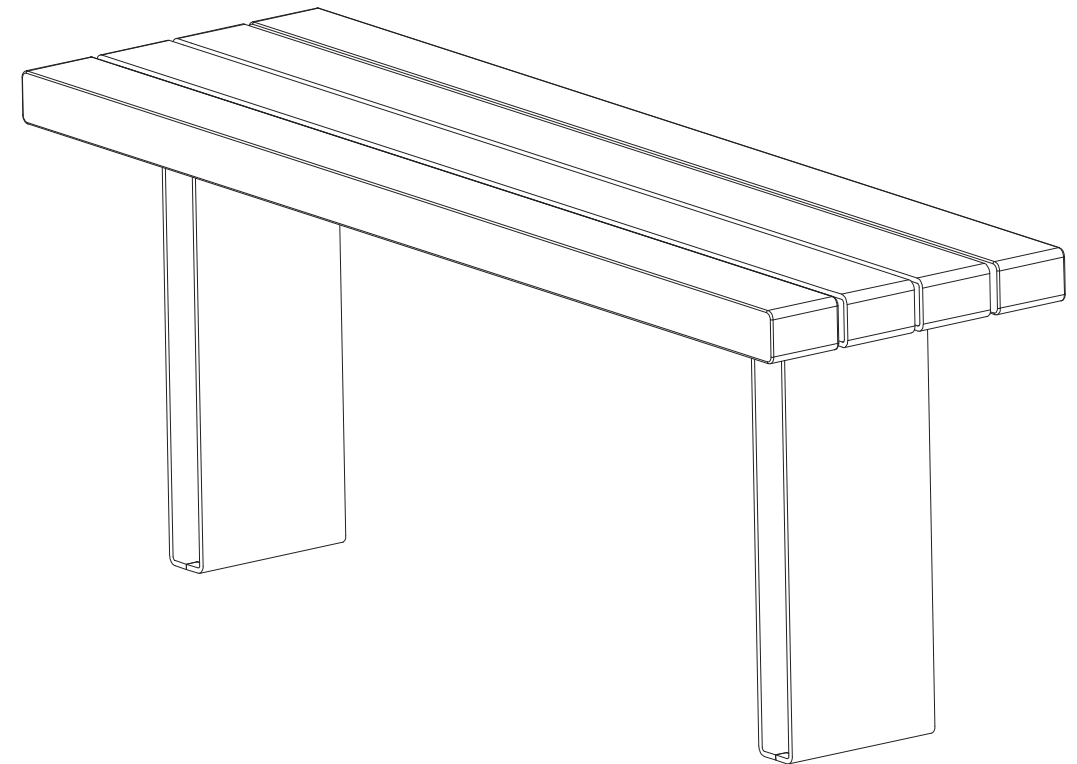
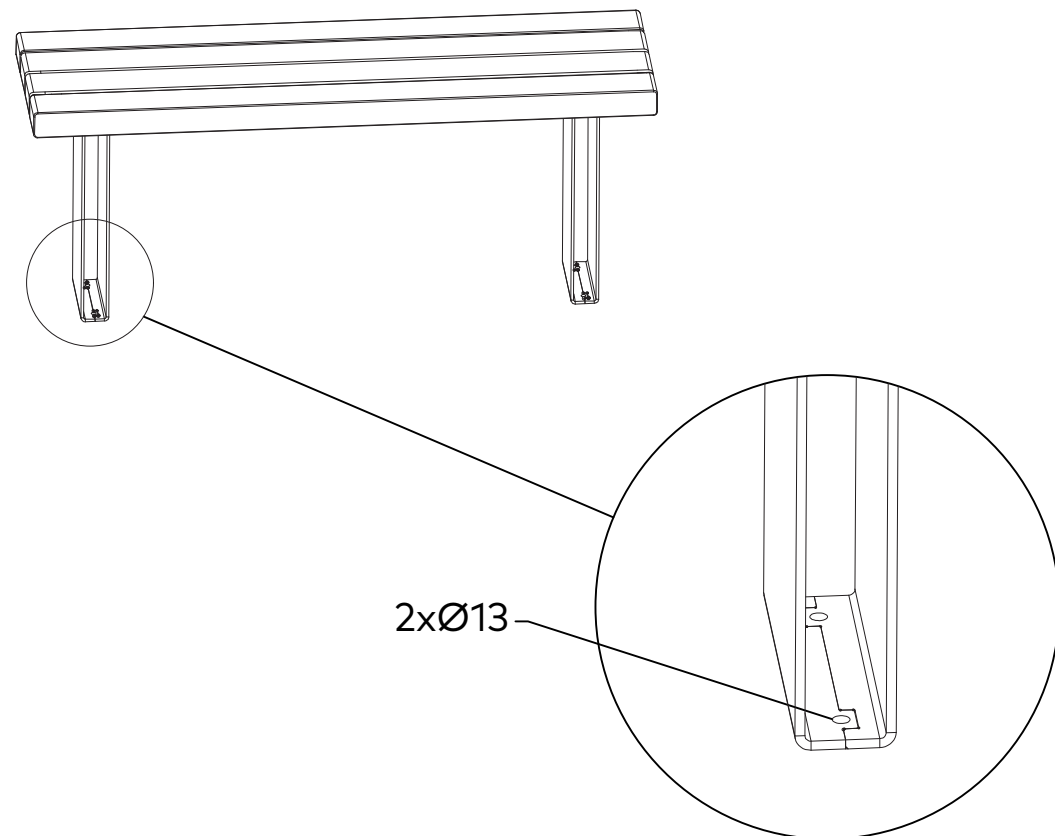
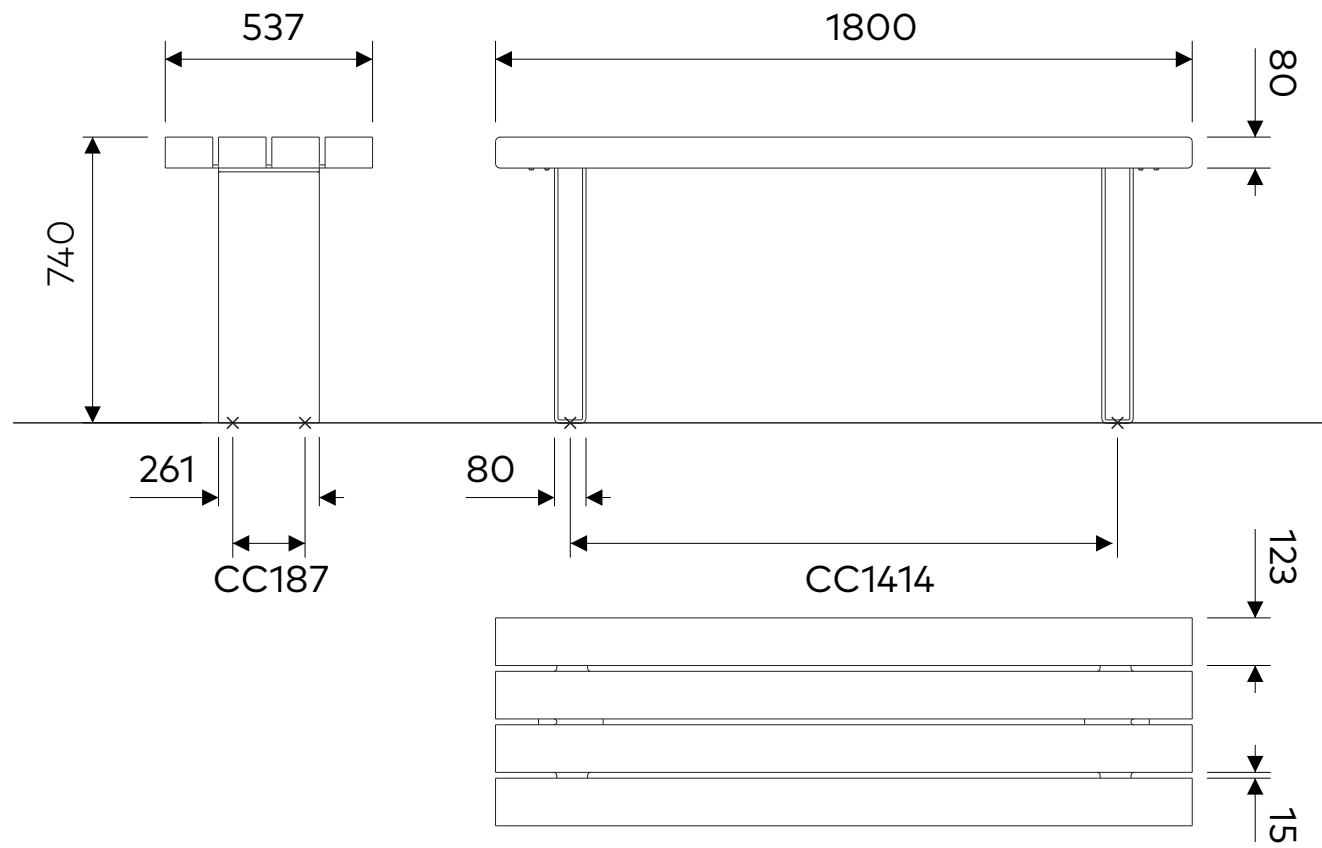


vestre

# Kong

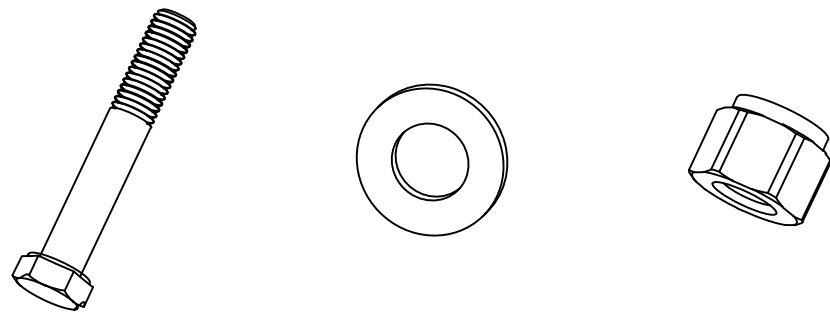
Table

Article no: 4033A



# Part list

ITEM	QTY	COMMENTS
1	1	Table top
2	2	Leg. Steel thickness 12 mm
4	4	M10 A2
5	4	M6S M10 x 100
6	8	BRB 10,5 x 20 x 2 A2



Additional content provided

# Step 1

