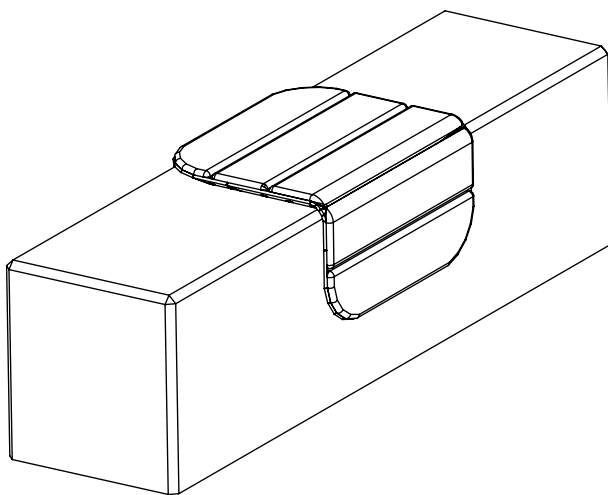


vestre

Corner

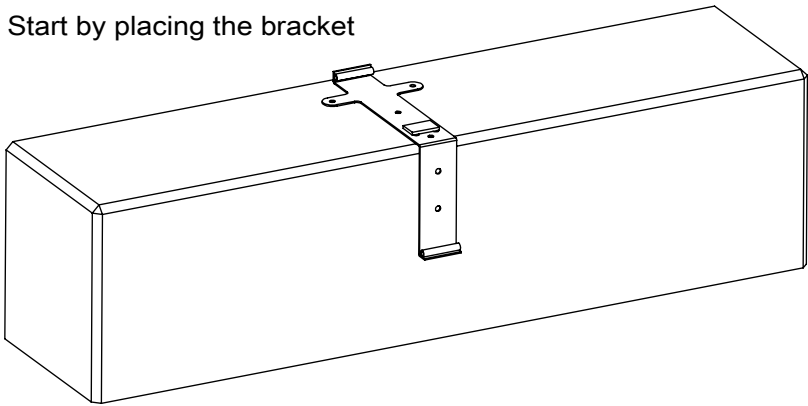
Bench 1 -seater

Article no: 4104MK



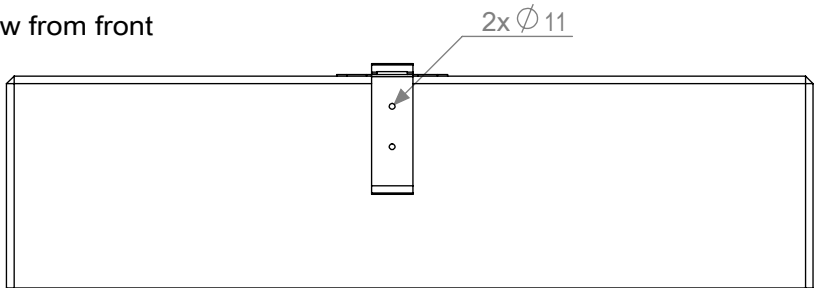
11 36 Kg

Start by placing the bracket

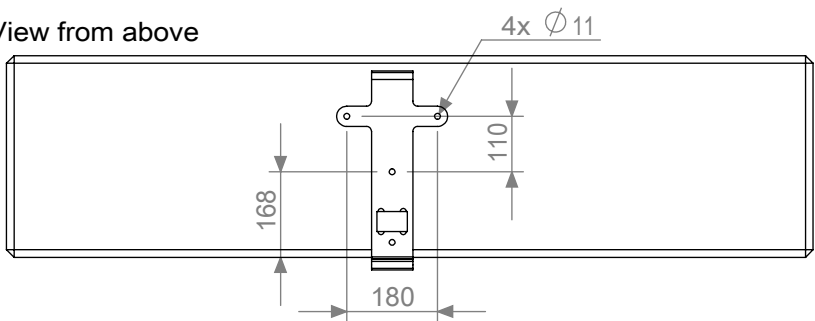


Anchoring holes: 3 per bracket is recommended

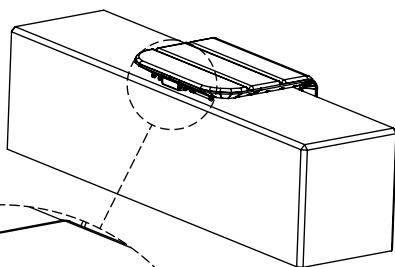
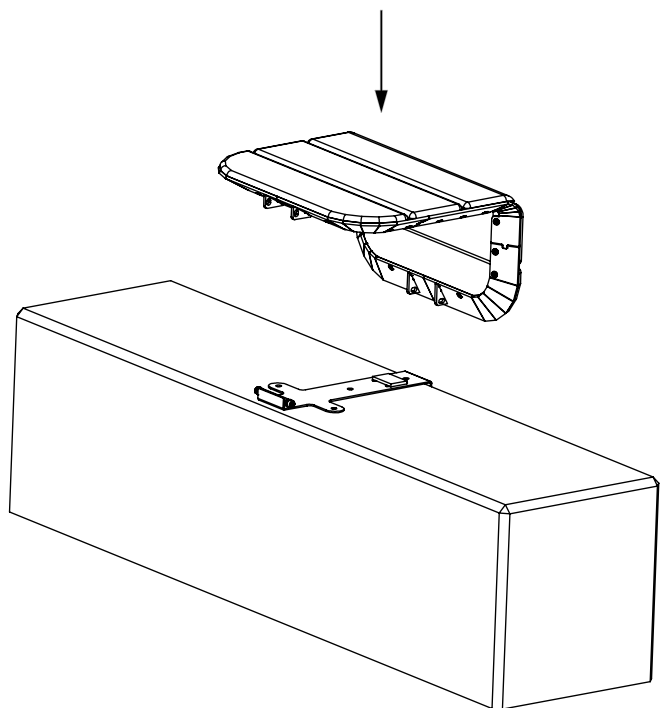
View from front



View from above



Place bench on bracket



2x M8x110



4x M8



2x M8

