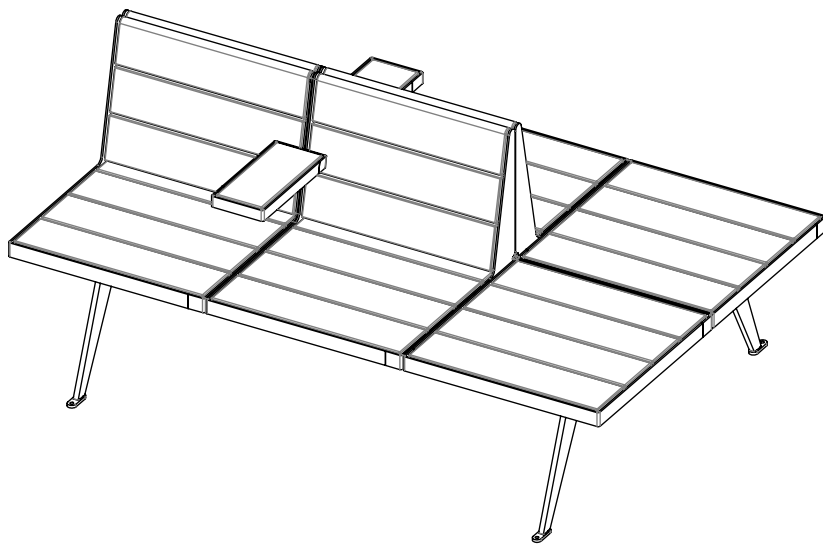


vestre

Atlas

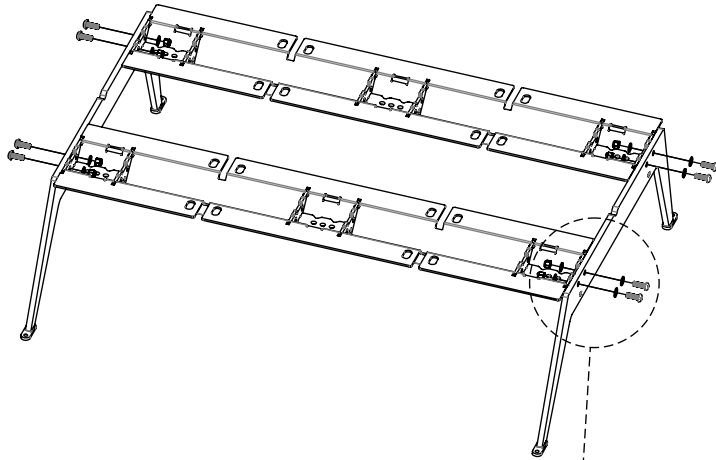
Double seat with two armrests (6-seater)

Article no: 4528



211 Kg

Mounting frame



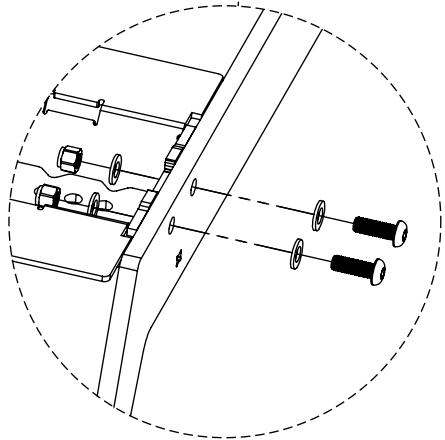
8x M12x35



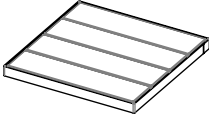
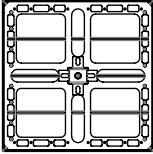
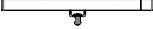
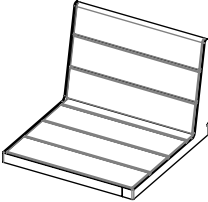
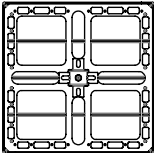
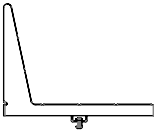
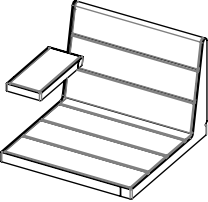
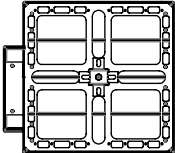
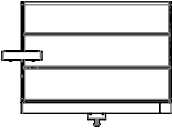
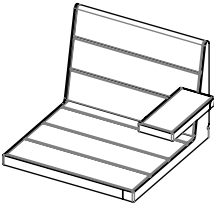
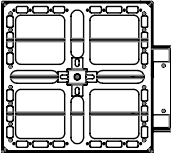
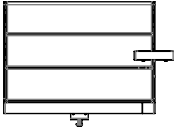
16x M12



8x M12

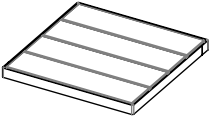


Seat variants

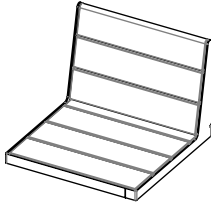
<p>4520</p> 		
<p>4521</p> 		
<p>4526V</p> 		
<p>4526H</p> 		

Mounting seats

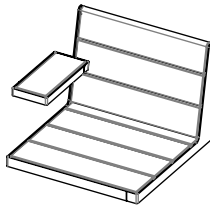
4520



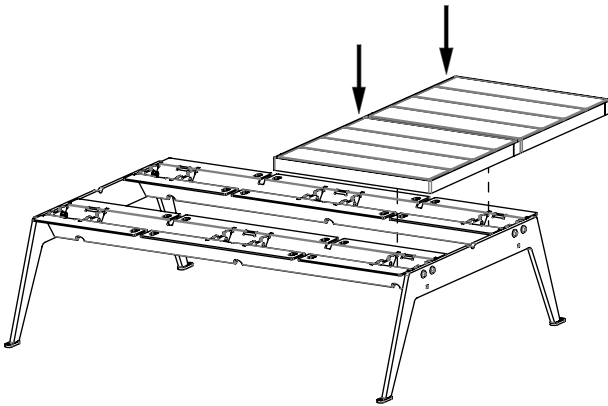
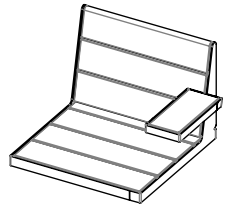
4521



4526V



4526H



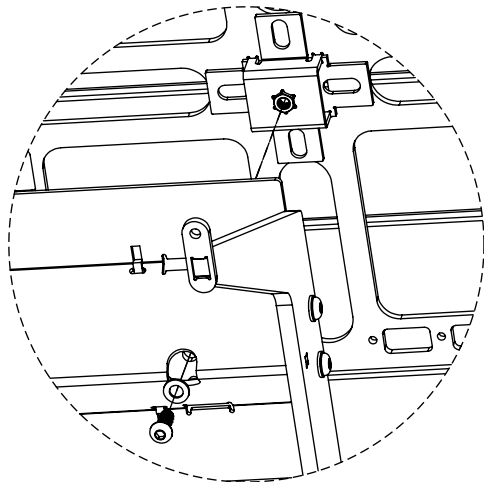
Same mounting on
all seat variants



6x M12x35



6x M12



Mounting seats

