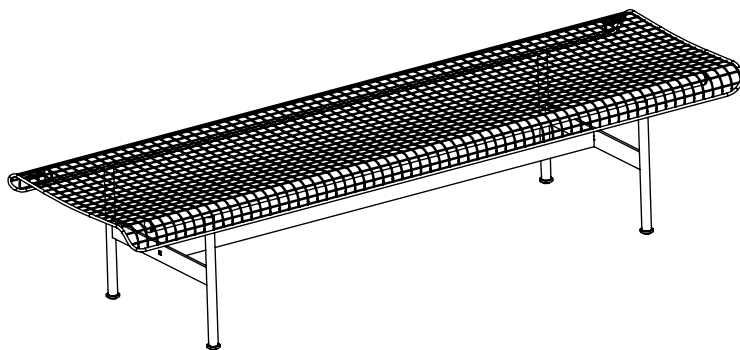


vestre

Munch

Article no: 5106



29 Kg

