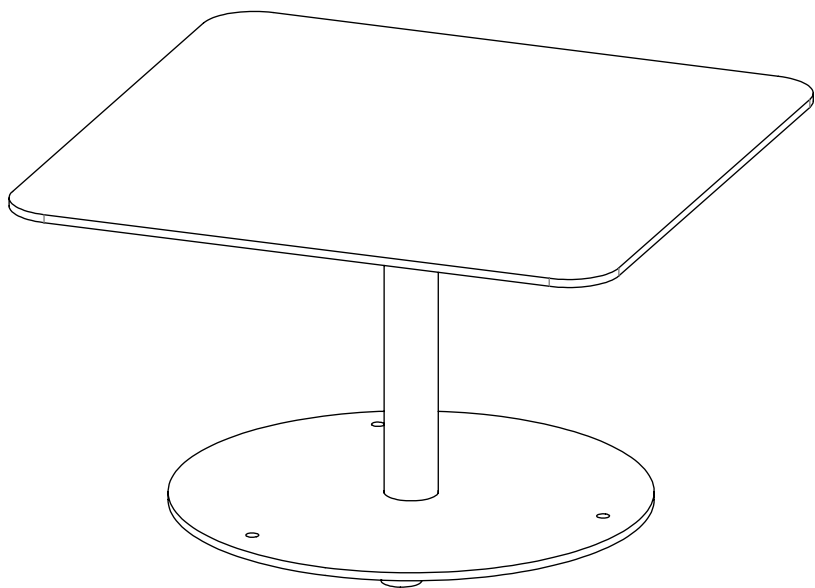


vestre

# Munch

Table

Article no: 5131



33 Kg

