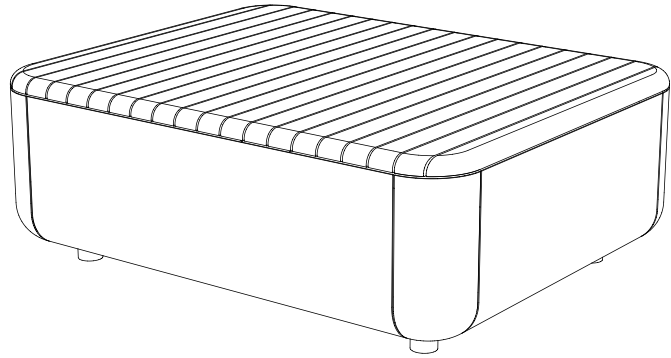


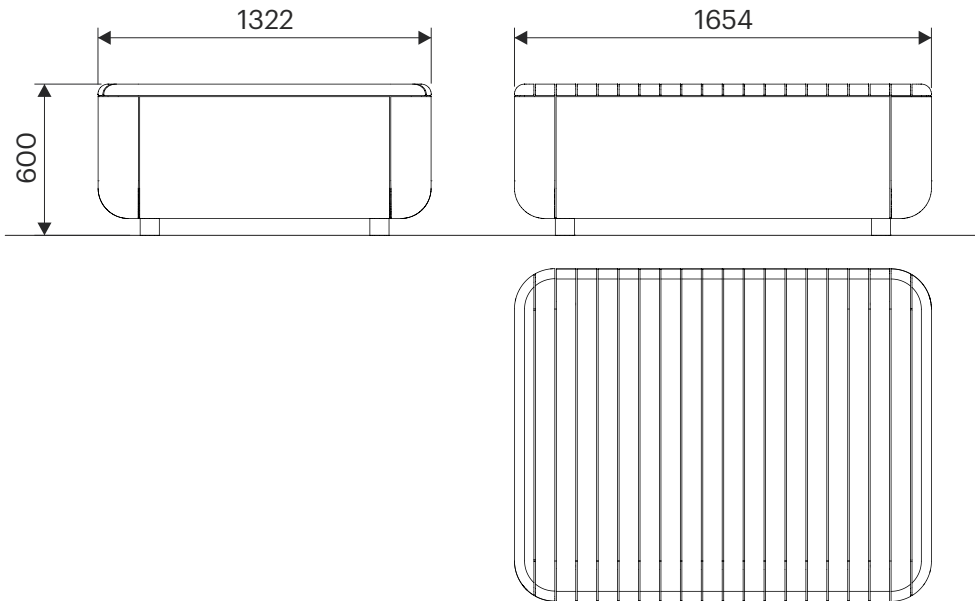


Stones

Article no: 5212



190 kg



www.vestre.com

