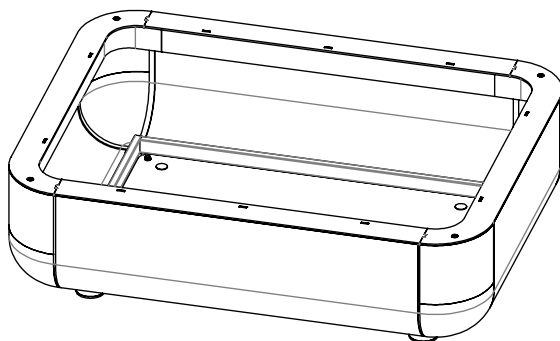


vestre

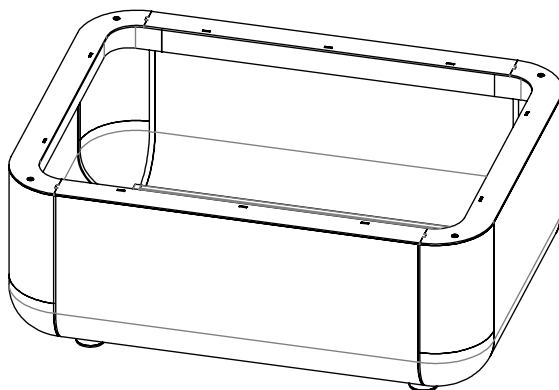
# Stones

Planter

Article no: 5284, 8284C, 5286, 5286C

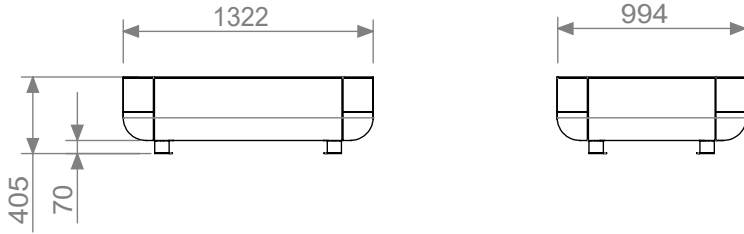


103 kg

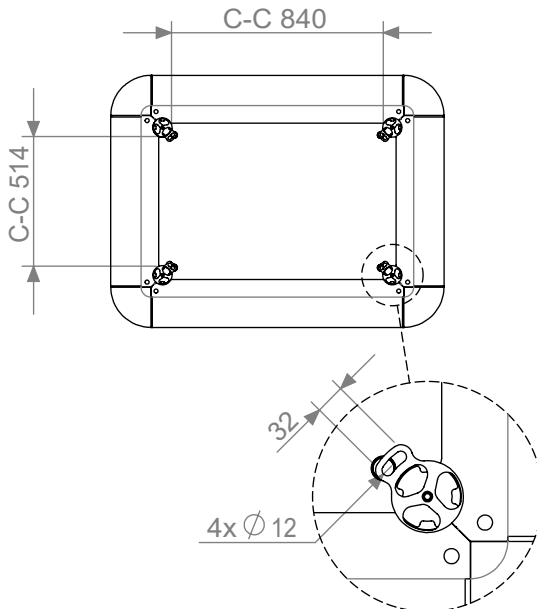
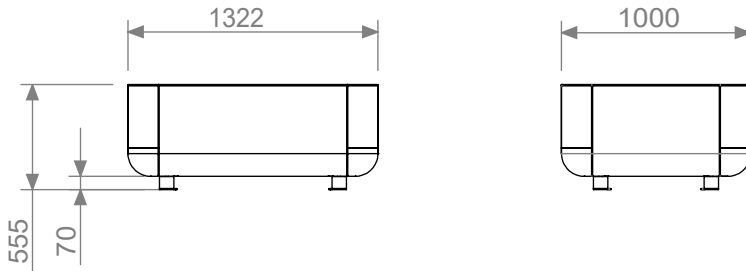


119 Kg

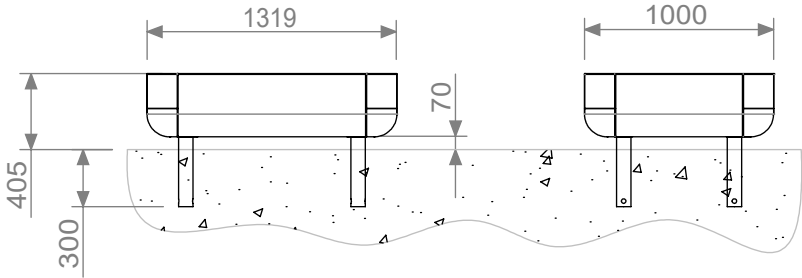
5284



5286



5284C



5286C

