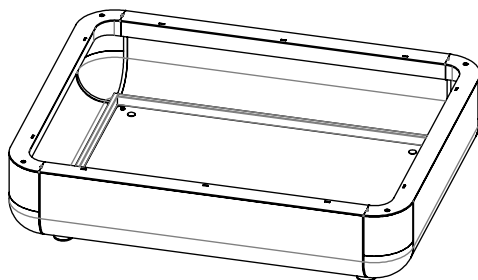


vestre

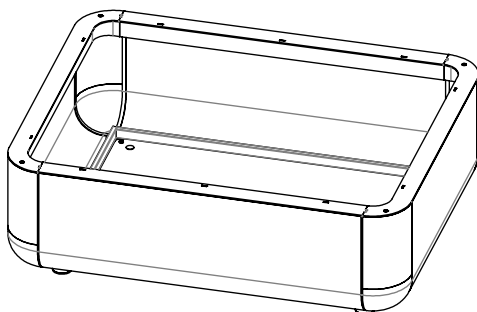
Stones

Planter

Article no: 5288, 5288C, 5290, 5290C

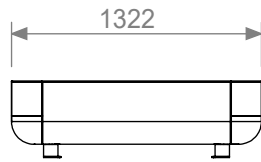
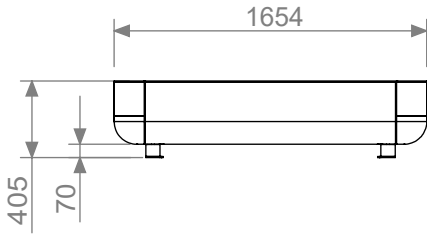


146 kg

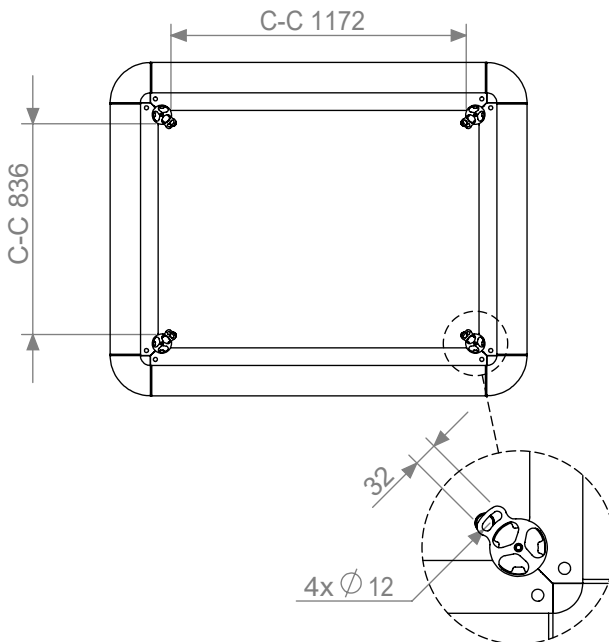
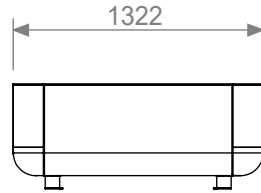
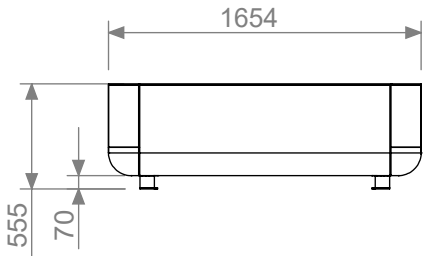


166 kg

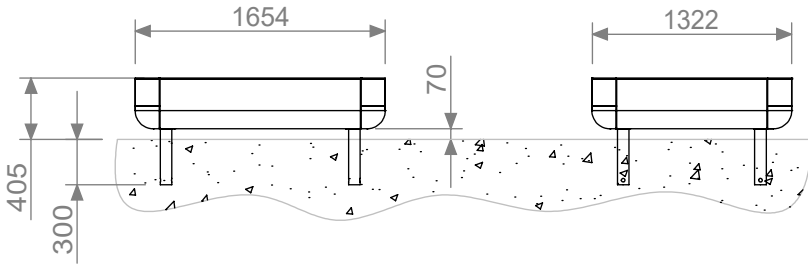
5288



5290



5288C



5290C

