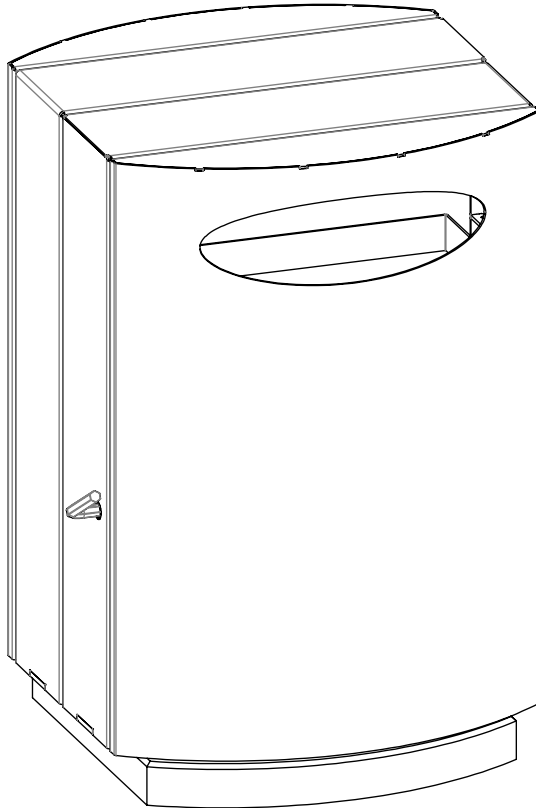


vestre

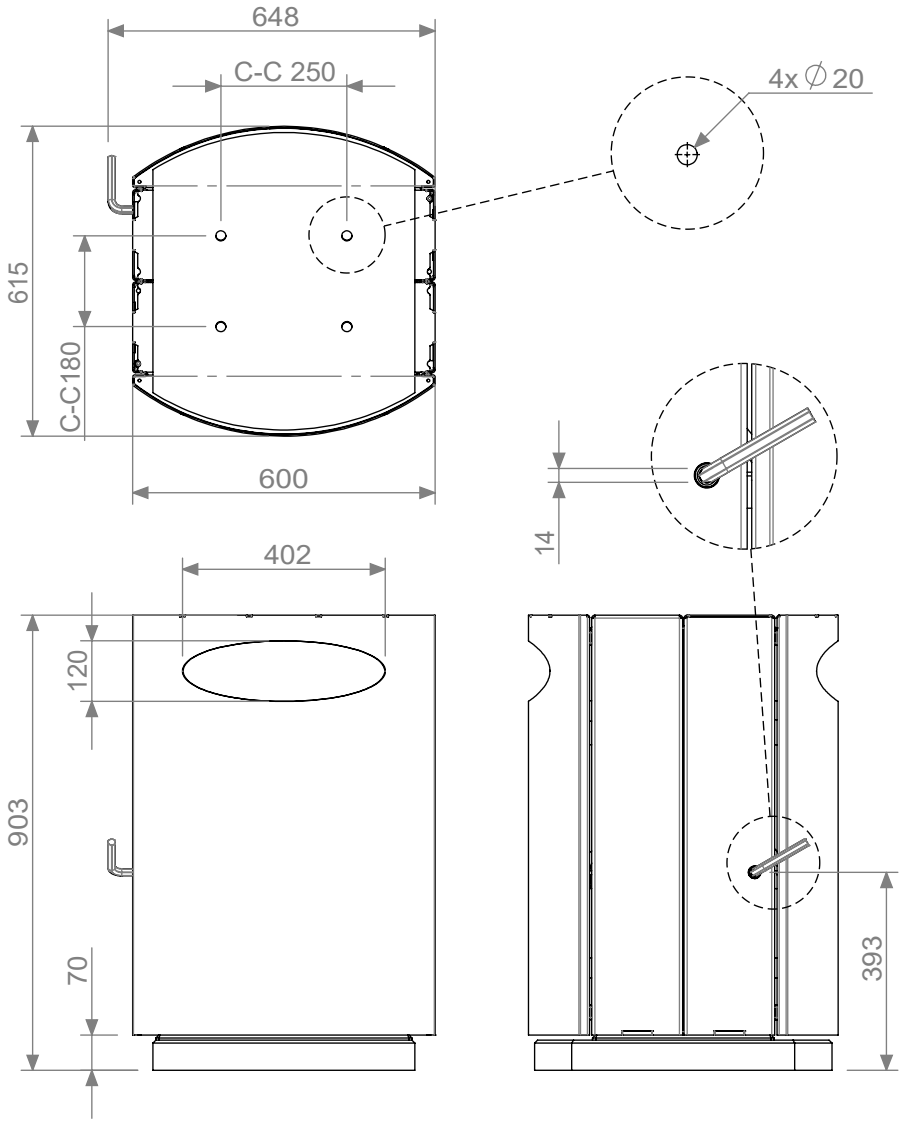
Urban

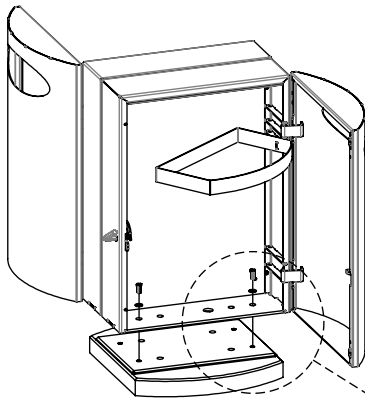
Litter bin 200L

Article no: 548



130 Kg





4x M10x25



4x $\varnothing 13 \times 24 \times 2,5$

