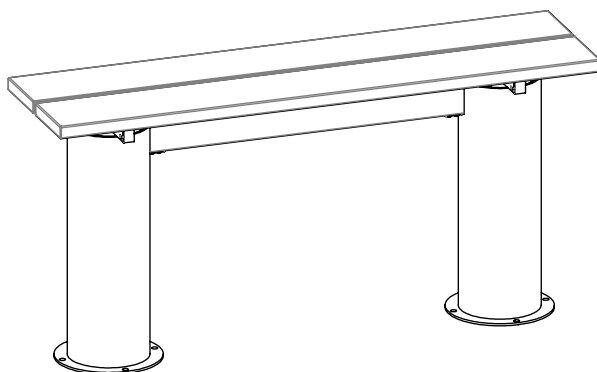
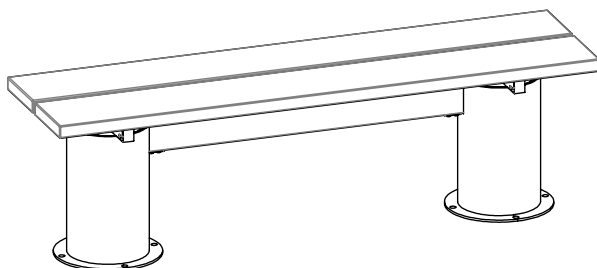
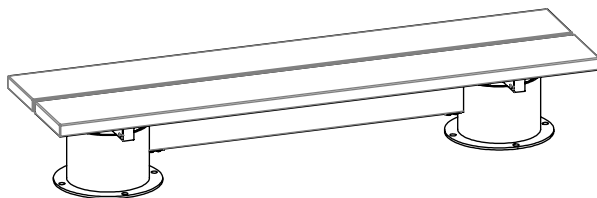


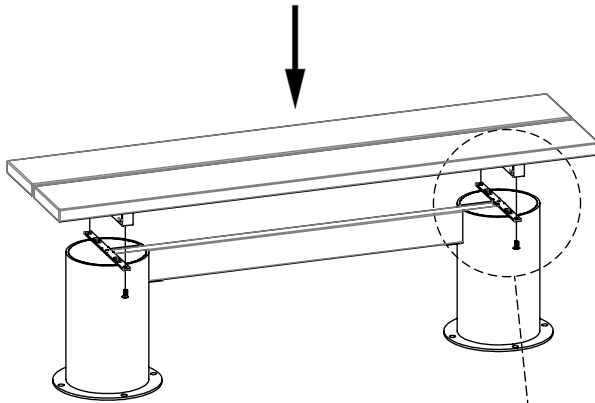
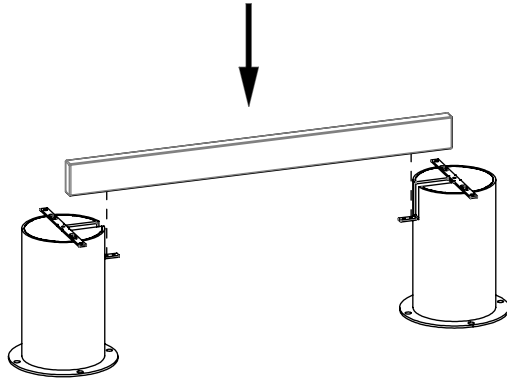
vestre

# Plinth

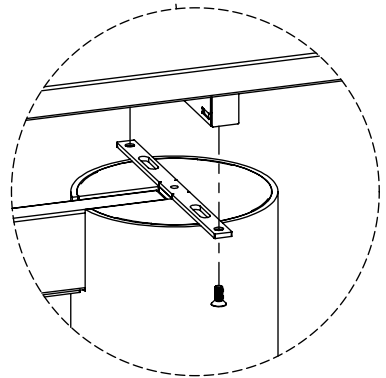
Bench

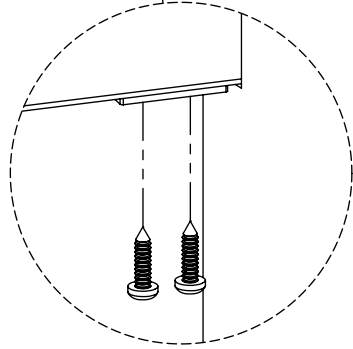
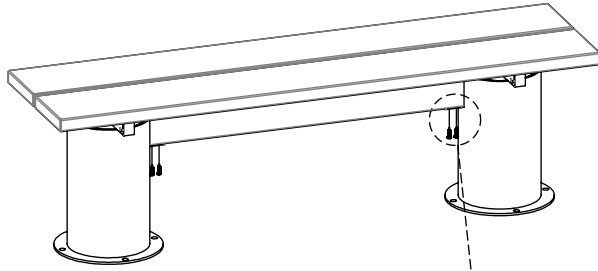
Article no: 5603A&C, 5604A&C, 5605A&C





4x M8x20

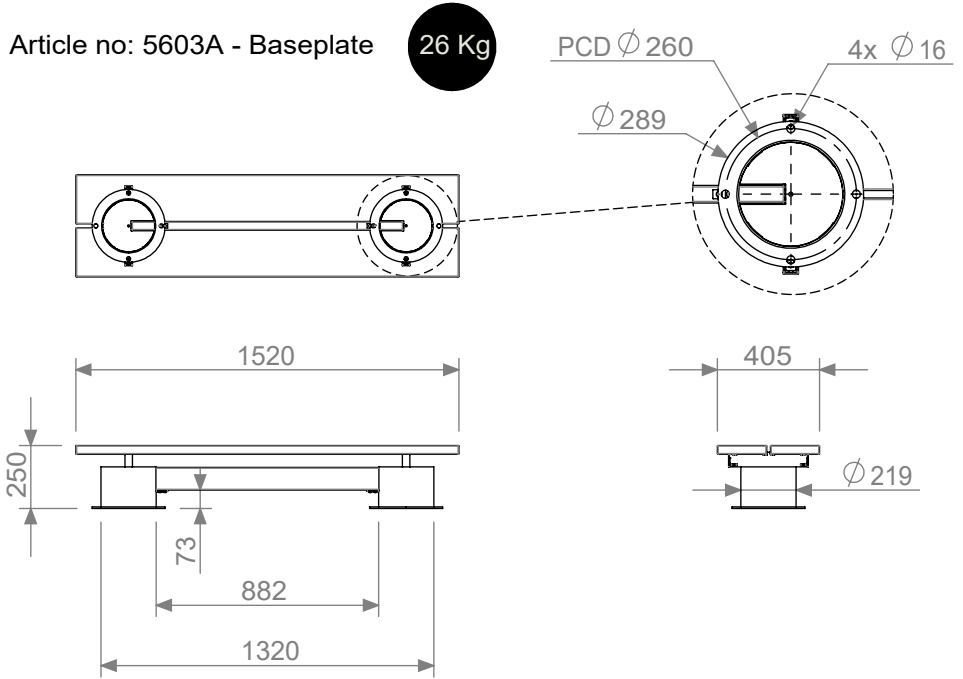




4x  $\varnothing 6,3 \times 25$

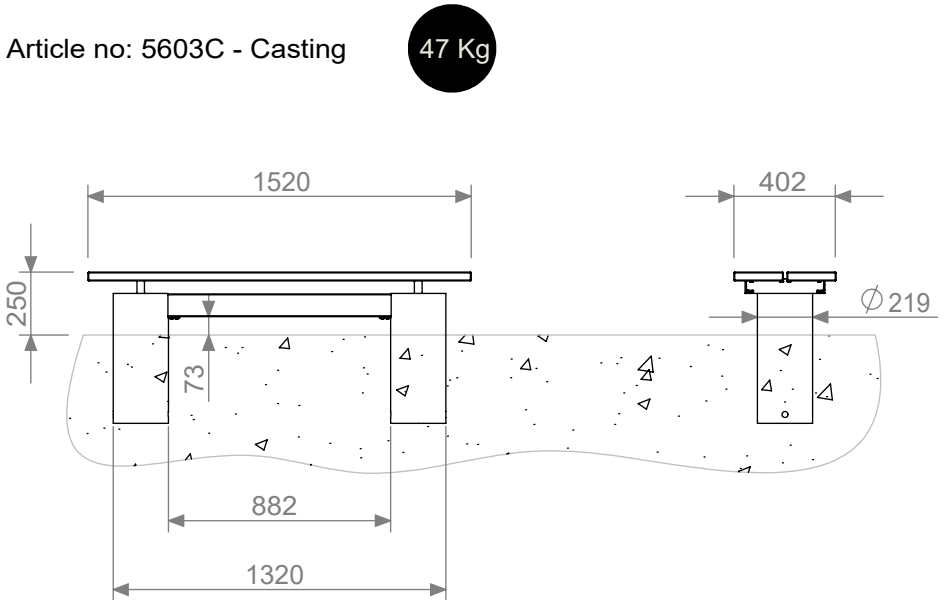
Article no: 5603A - Baseplate

26 Kg



Article no: 5603C - Casting

47 Kg



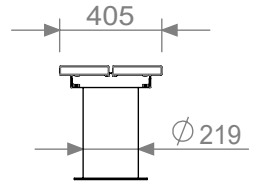
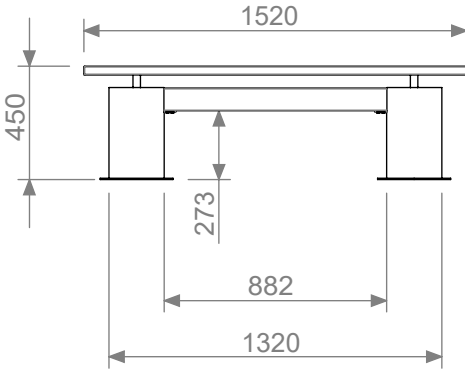
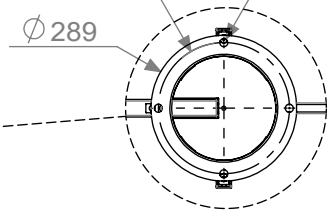
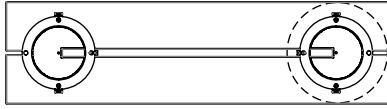
Article no: 5604A - Baseplate

39 Kg

PCD  $\varnothing$  260

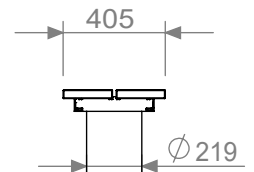
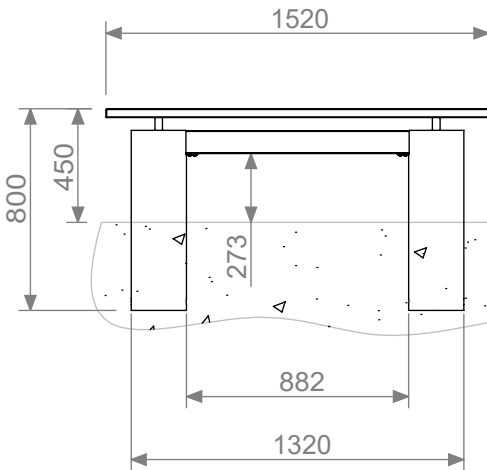
4x  $\varnothing$  16

$\varnothing$  289



Article no: 5604C - Casting

60 Kg



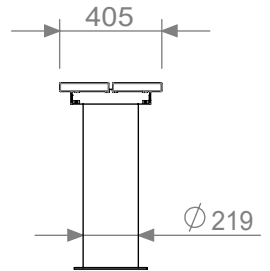
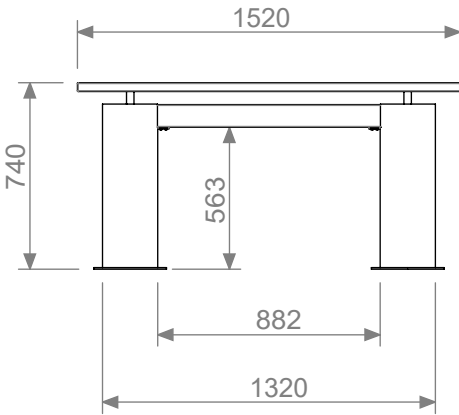
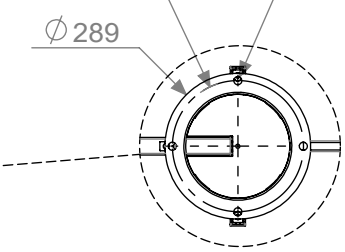
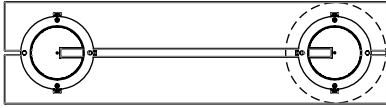
Article no: 5605A - Baseplate

58 Kg

PCD  $\varnothing$  260

4x  $\varnothing$  16

$\varnothing$  289



Article no: 5605C - Casting

79 Kg

