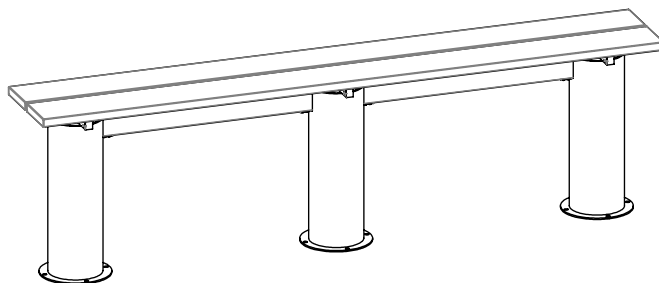
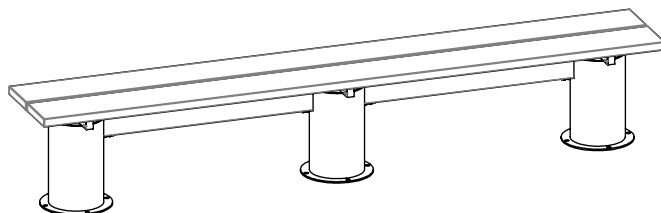
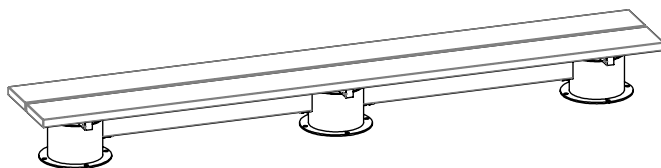


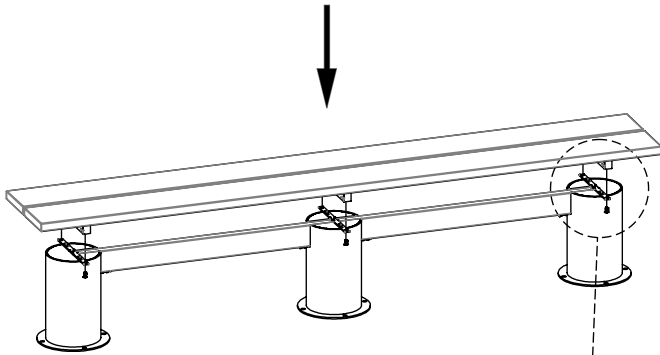
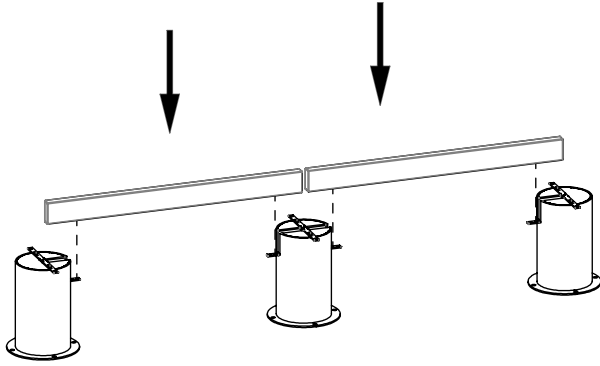
vestre

Plinth

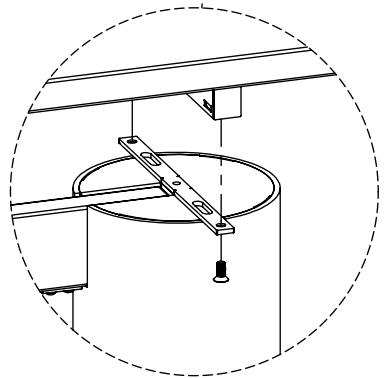
Bench

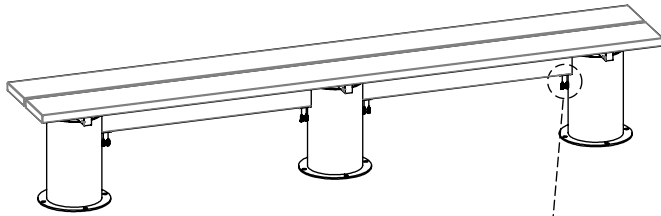
Article no: 5606A&C, 5607A&C, 5608A&C



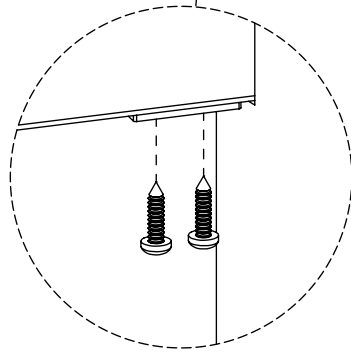


6x M8x20



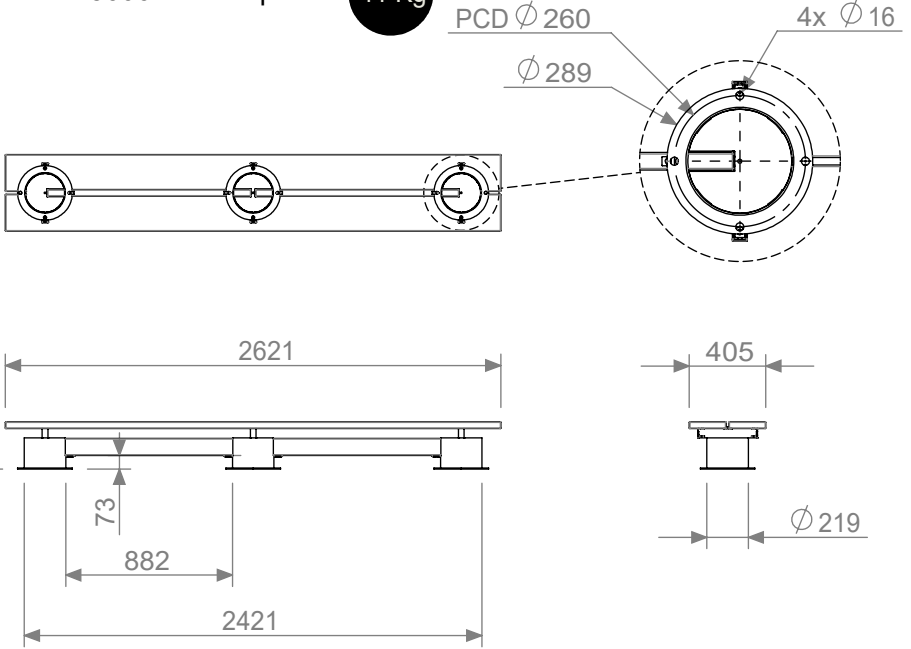


8x $\varnothing 6,3 \times 25$



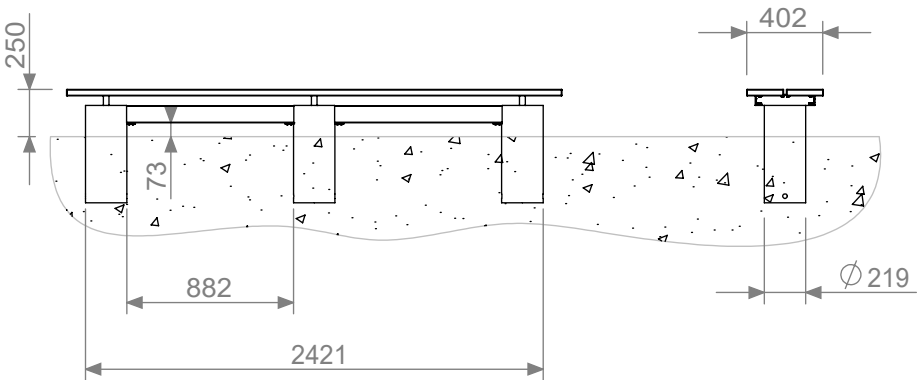
Article no: 5606A - Baseplate

41 Kg



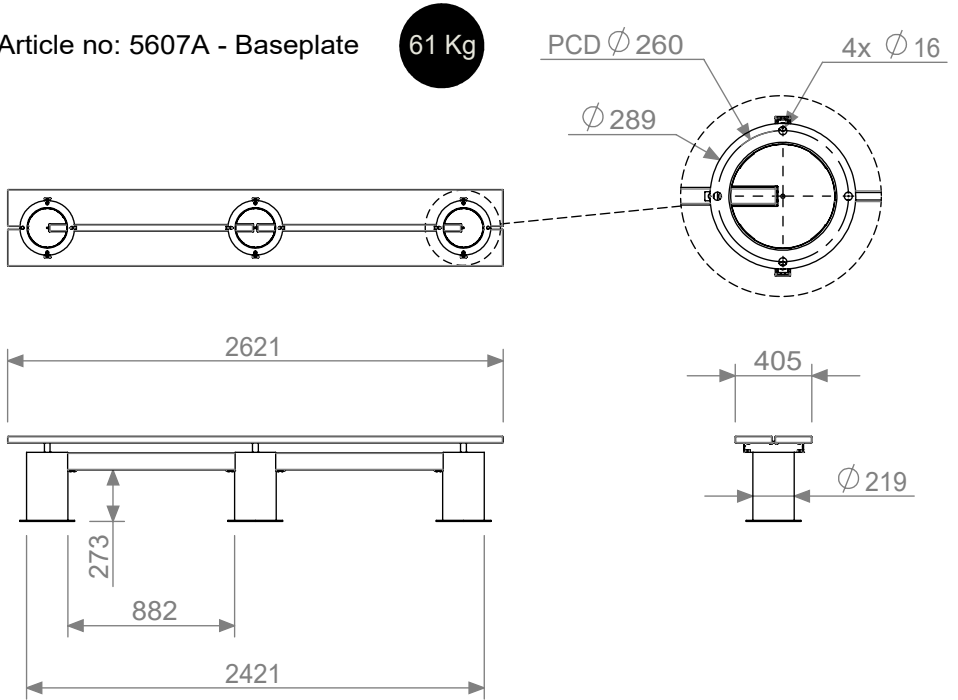
Article no: 5606C - Casting

72 Kg



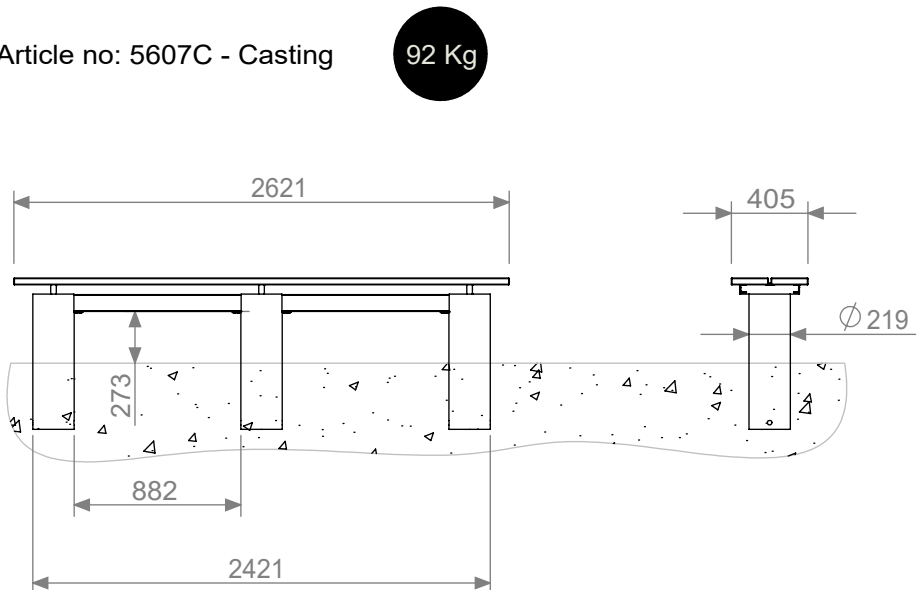
Article no: 5607A - Baseplate

61 Kg



Article no: 5607C - Casting

92 Kg



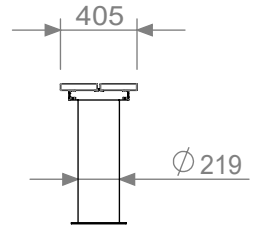
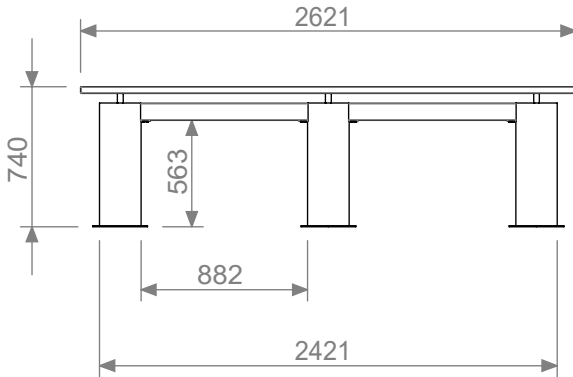
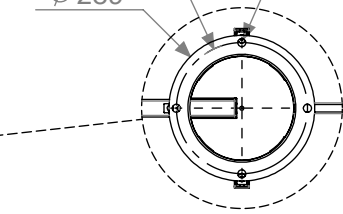
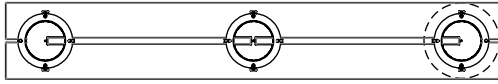
Article no: 5608A - Baseplate

89 Kg

PCD \varnothing 260

4x \varnothing 16

\varnothing 289



Article no: 5608C - Casting

120 Kg

