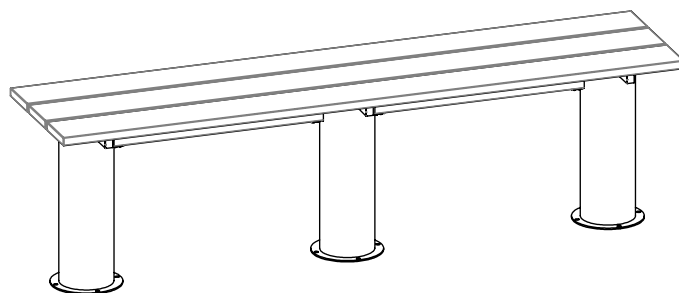
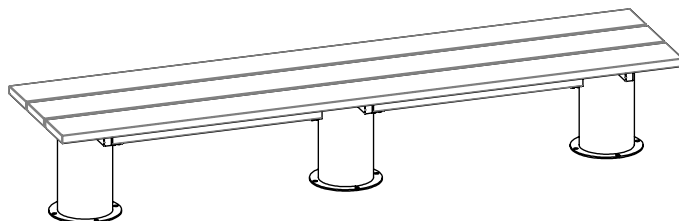
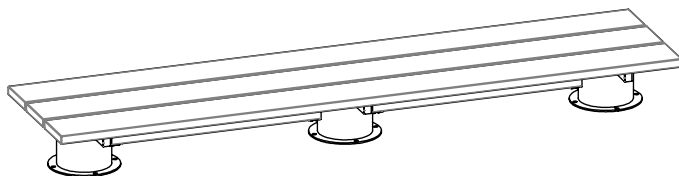


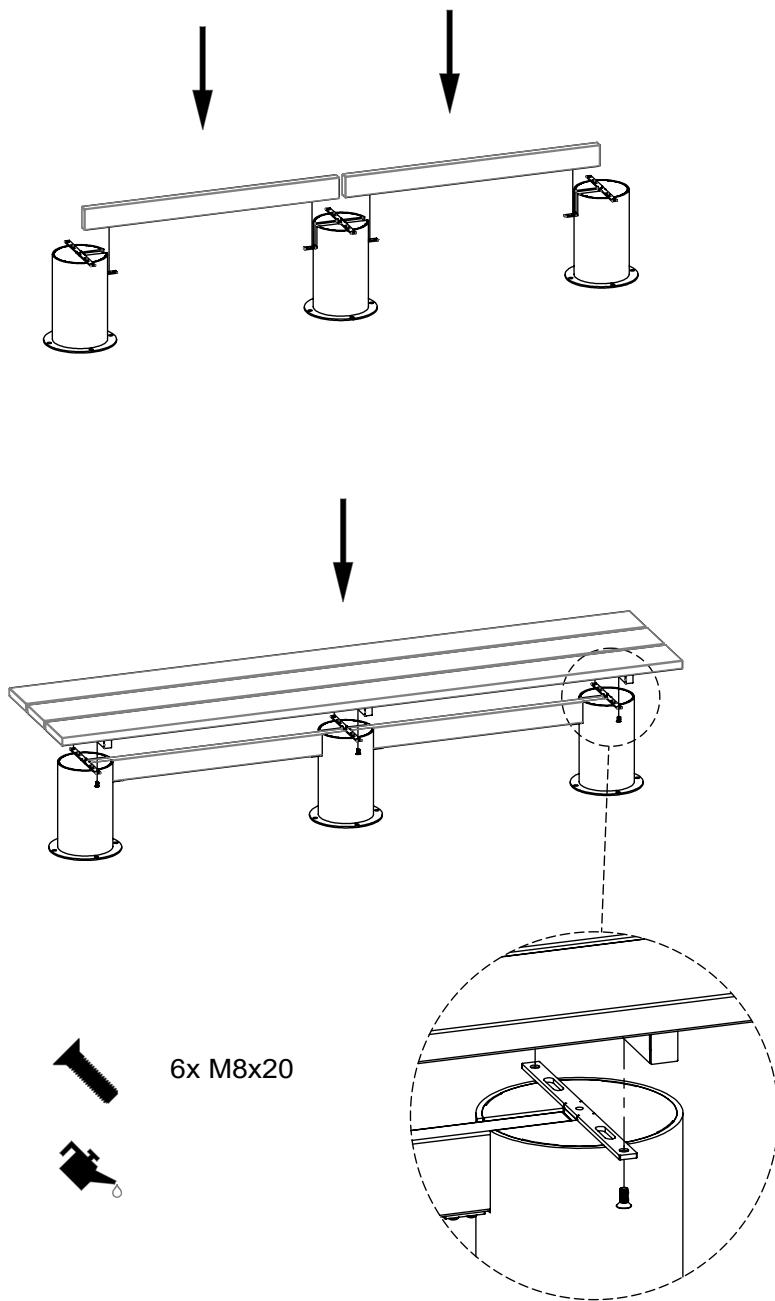
vestre

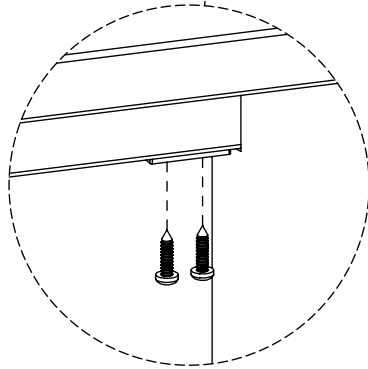
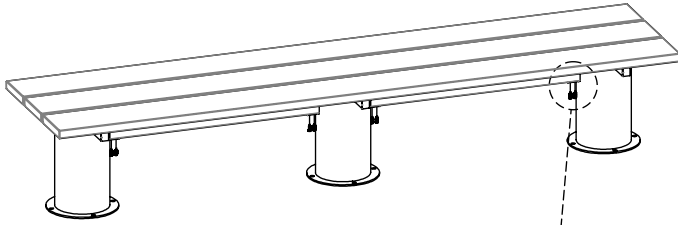
Plinth

Table

Article no: 5635A&C, 5636A&C, 5637A&C



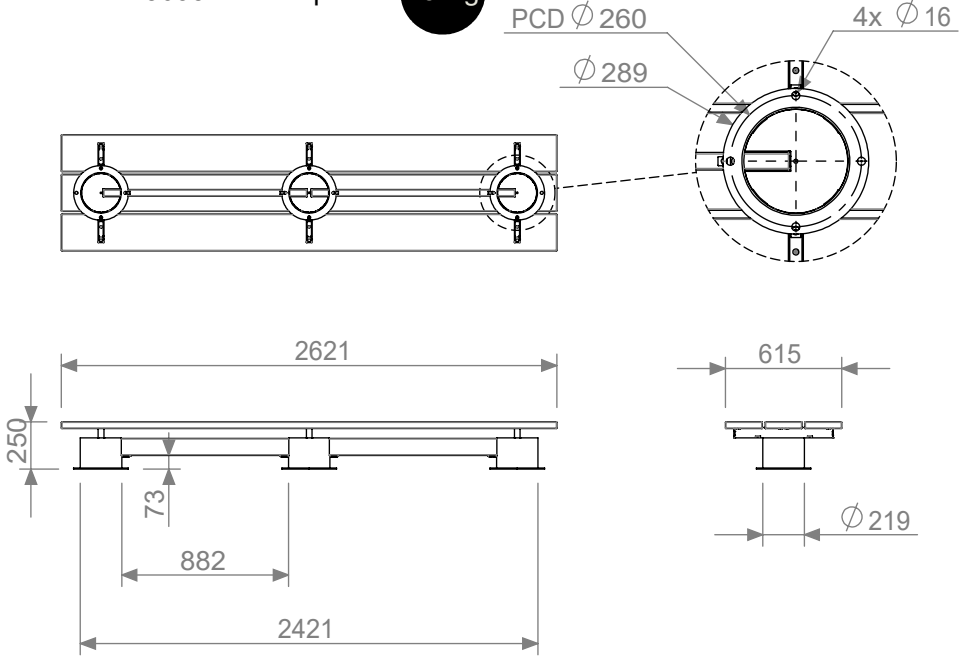




8x $\varnothing 6,3 \times 25$

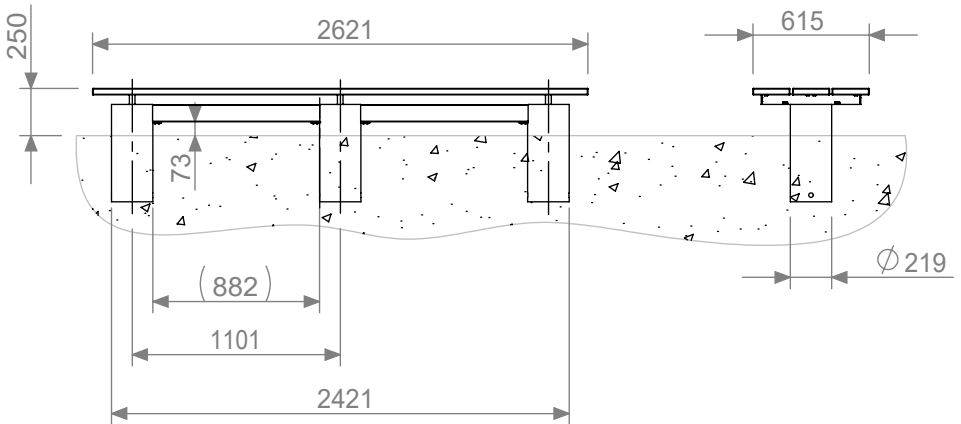
Article no: 5635A - Baseplate

49 Kg



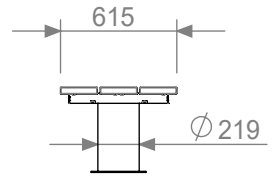
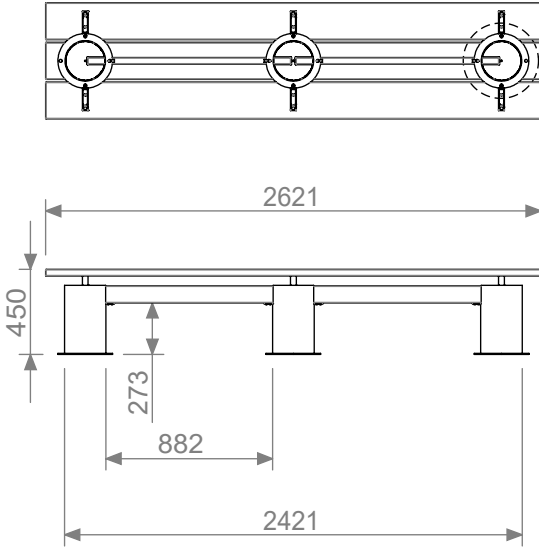
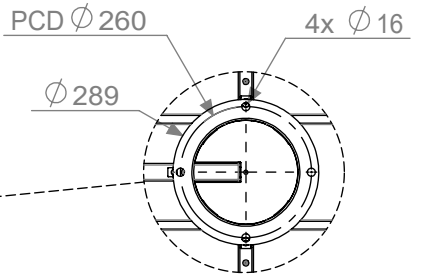
Article no: 5635C - Casting

80 Kg



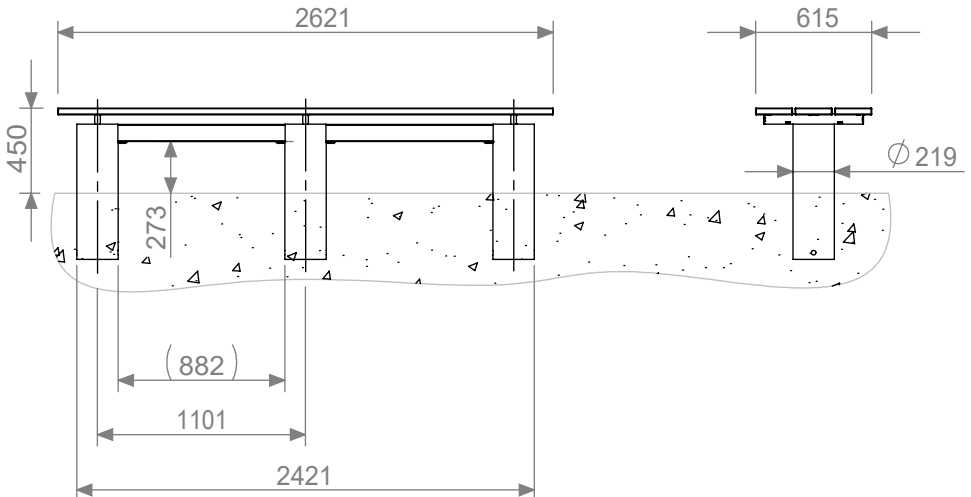
Article no: 5636A - Baseplate

69 Kg



Article no: 5636C - Casting

100 Kg



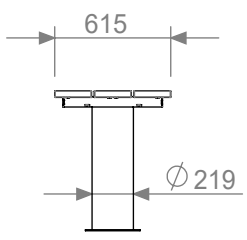
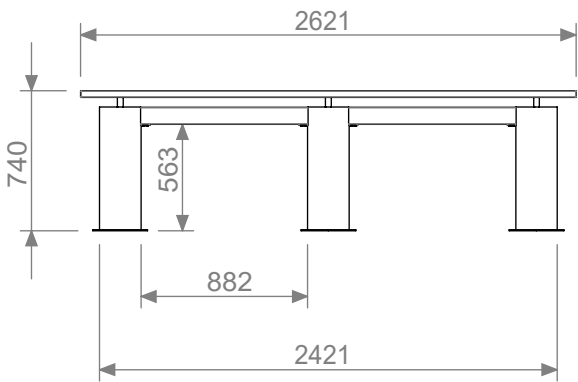
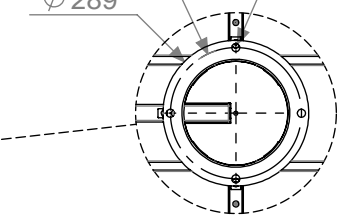
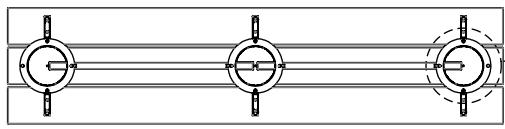
Article no: 5637A - Baseplate

97 Kg

PCD \varnothing 260

4x \varnothing 16

\varnothing 289



Article no: 5637C - Casting

128 Kg

