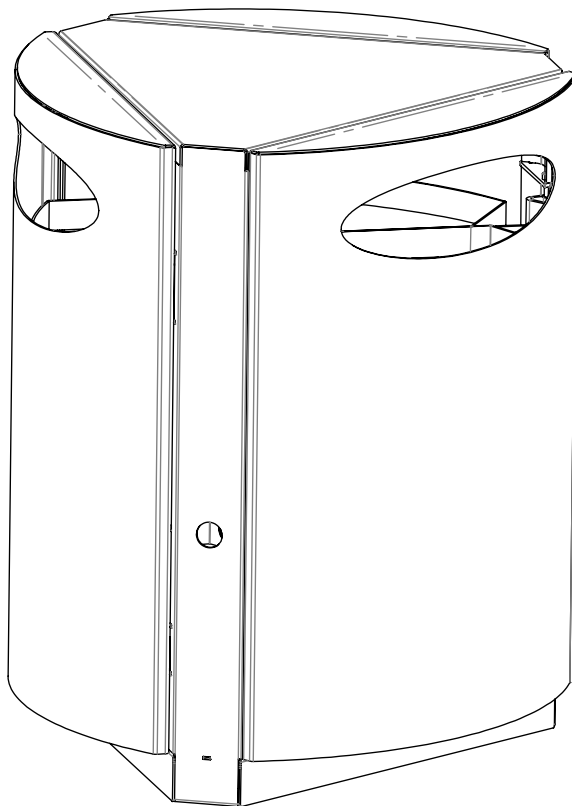


vestre

Urban

Recycling 3x80L

Article no: 572



73 Kg

