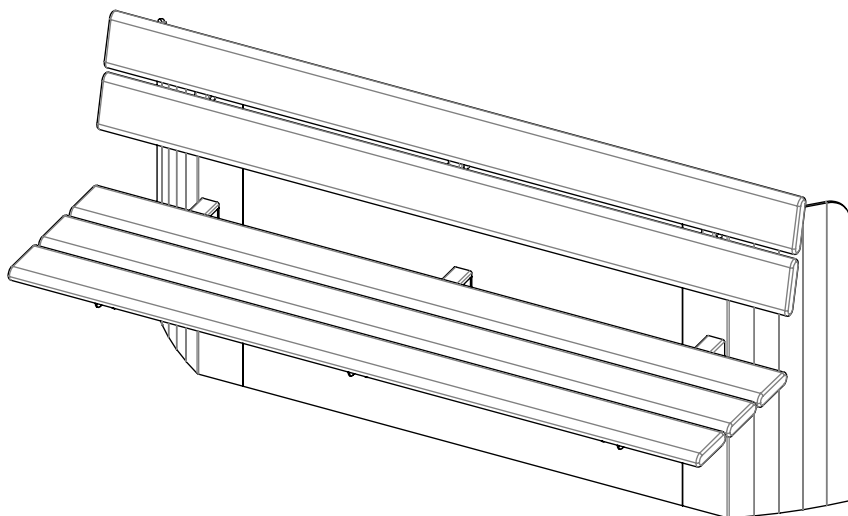


vestre

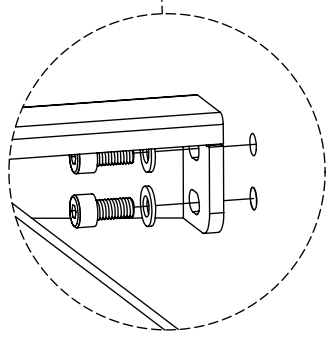
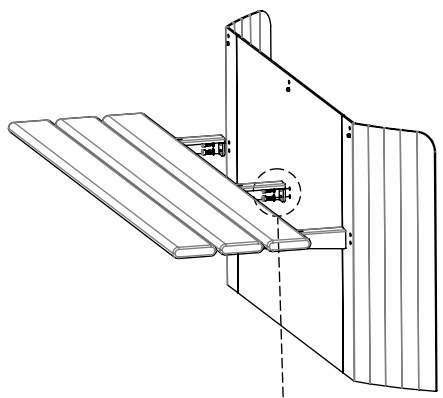
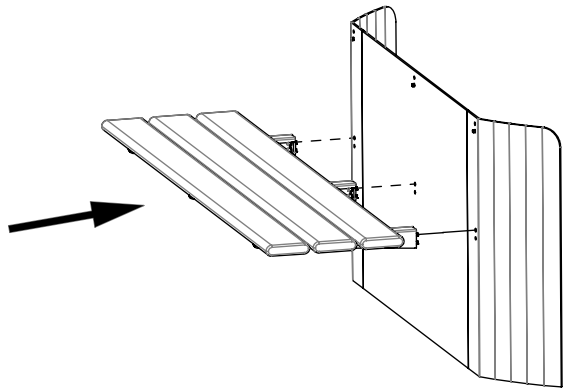
# Habitats

Seat

Article no: 5813A & 5813C



78-82 Kg

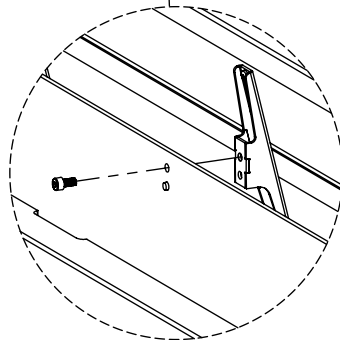
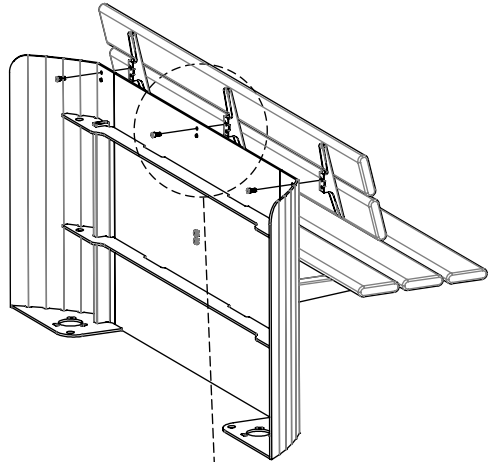
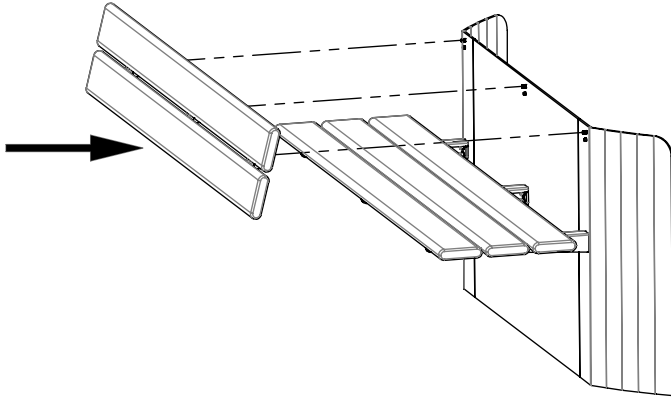


6x M8



6x M8





3x M8

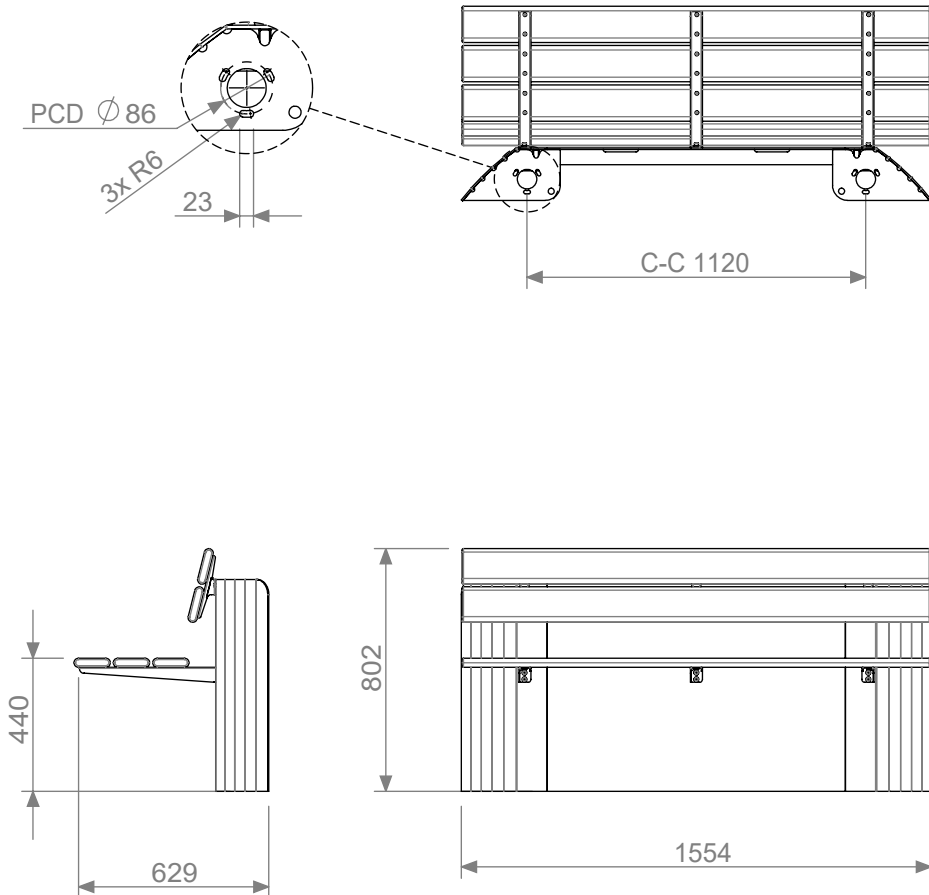


3x M8



# 5813A - Baseplate

Weight: 78 Kg



5813C - Casting  
Weight: 82 Kg

