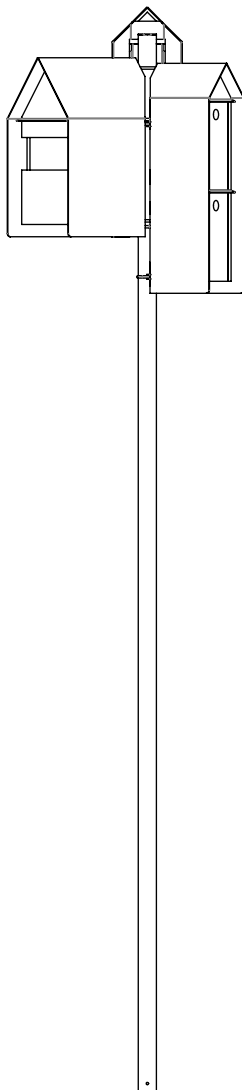


vestre

# Habitats

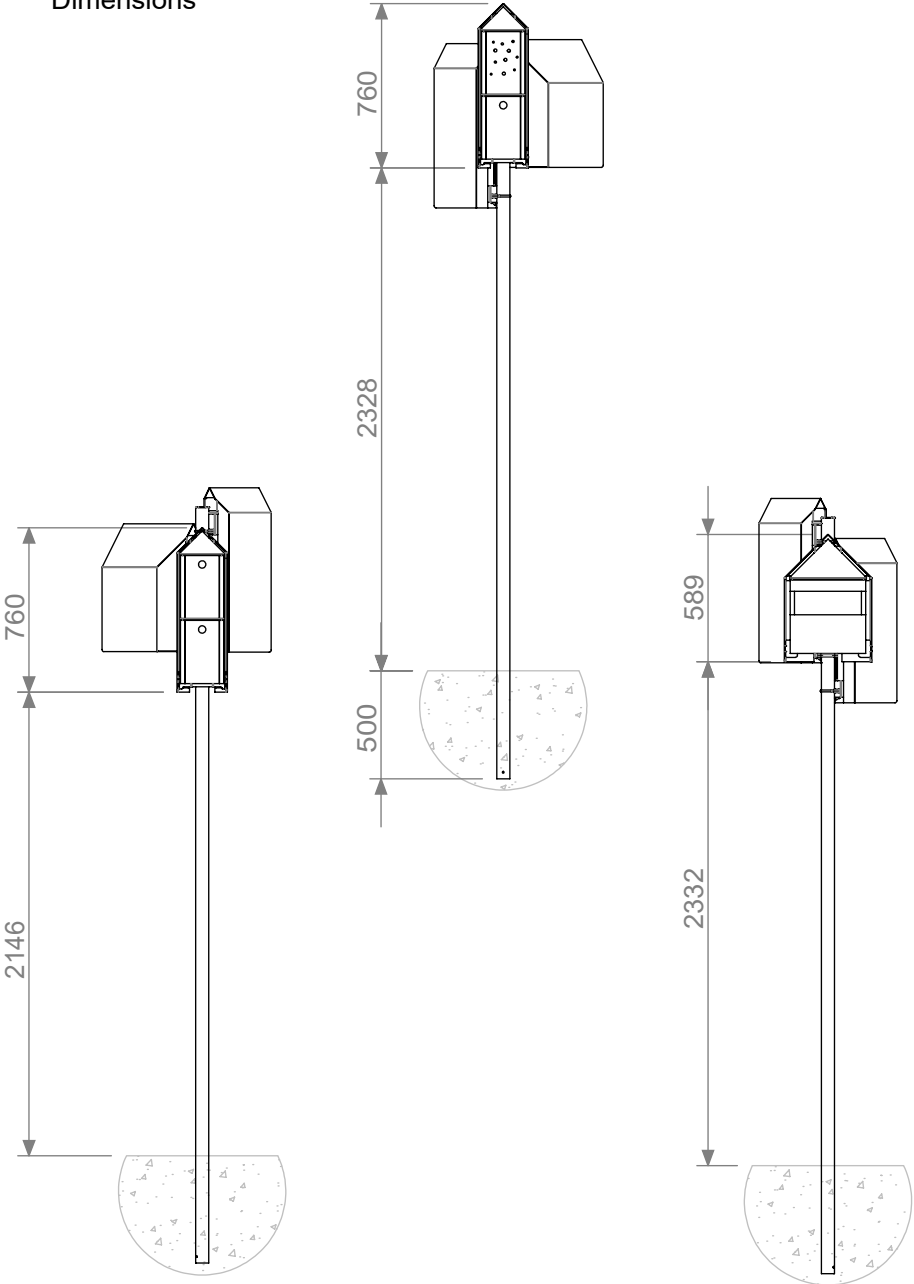
Birdhouse, insect hotel

Article no: 5823C

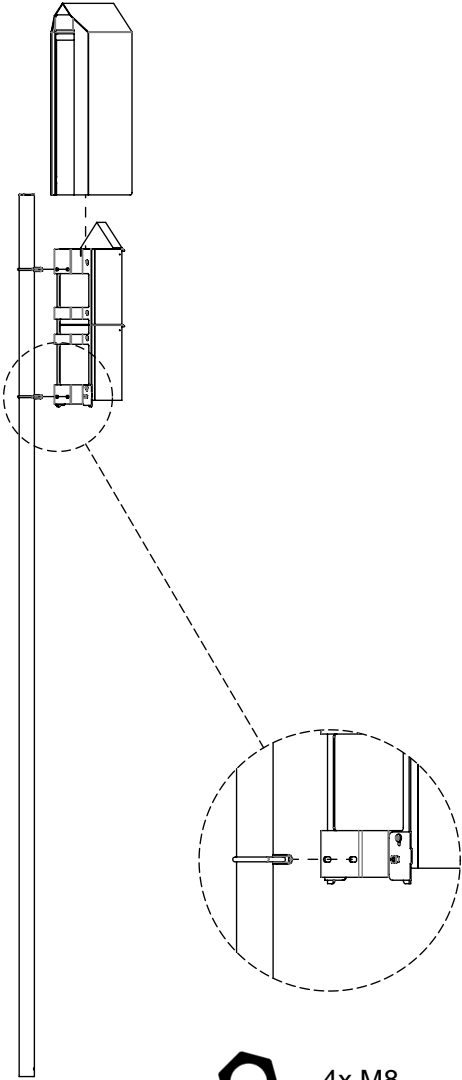


56 Kg

Dimensions



Same mouning on  
all variations



4x M8

