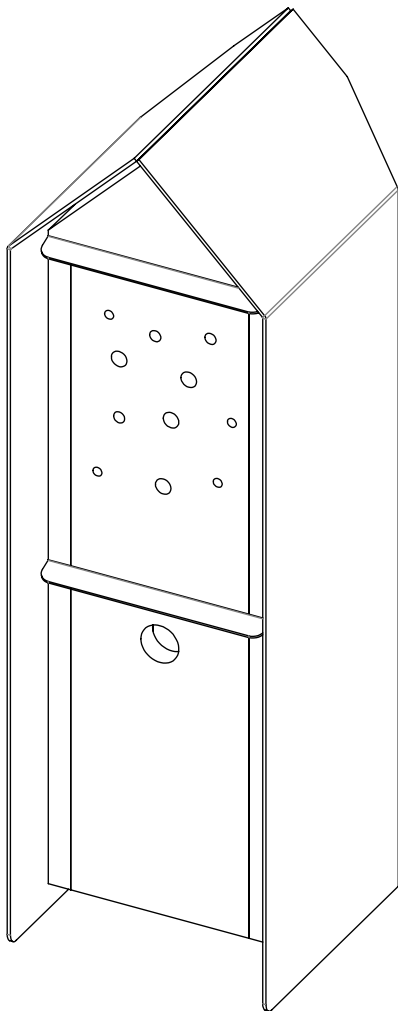


vestre

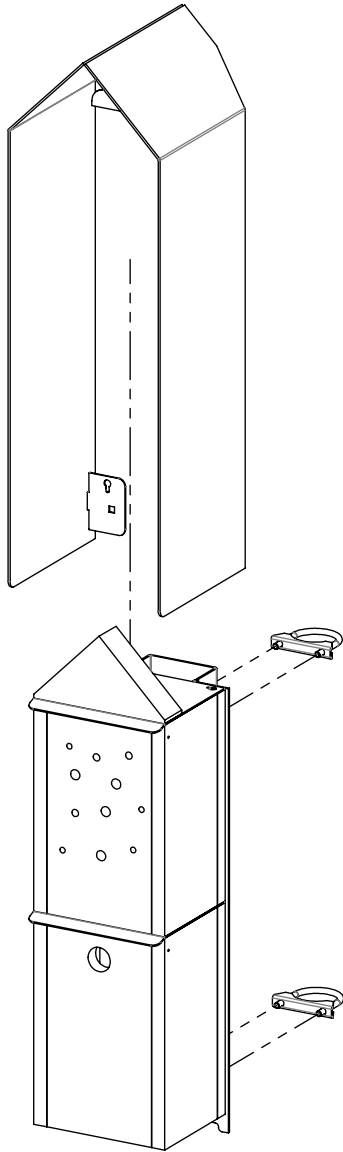
# Habitats

Birdhouse, insect hotel

Article no: 5826



10 Kg



2x M8



