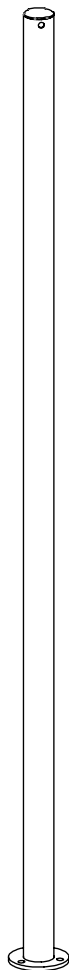


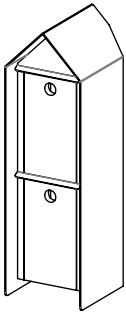
vestre

Habitats

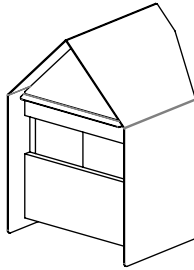
Article no: 5827A & 5827C



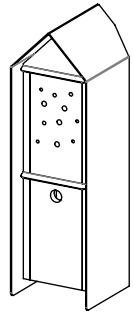
11 -13Kg



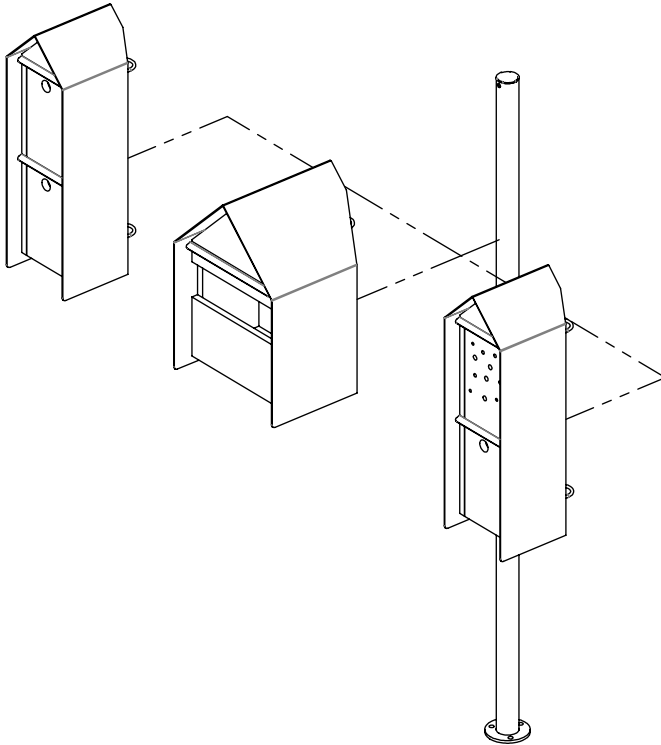
Article no: 5825

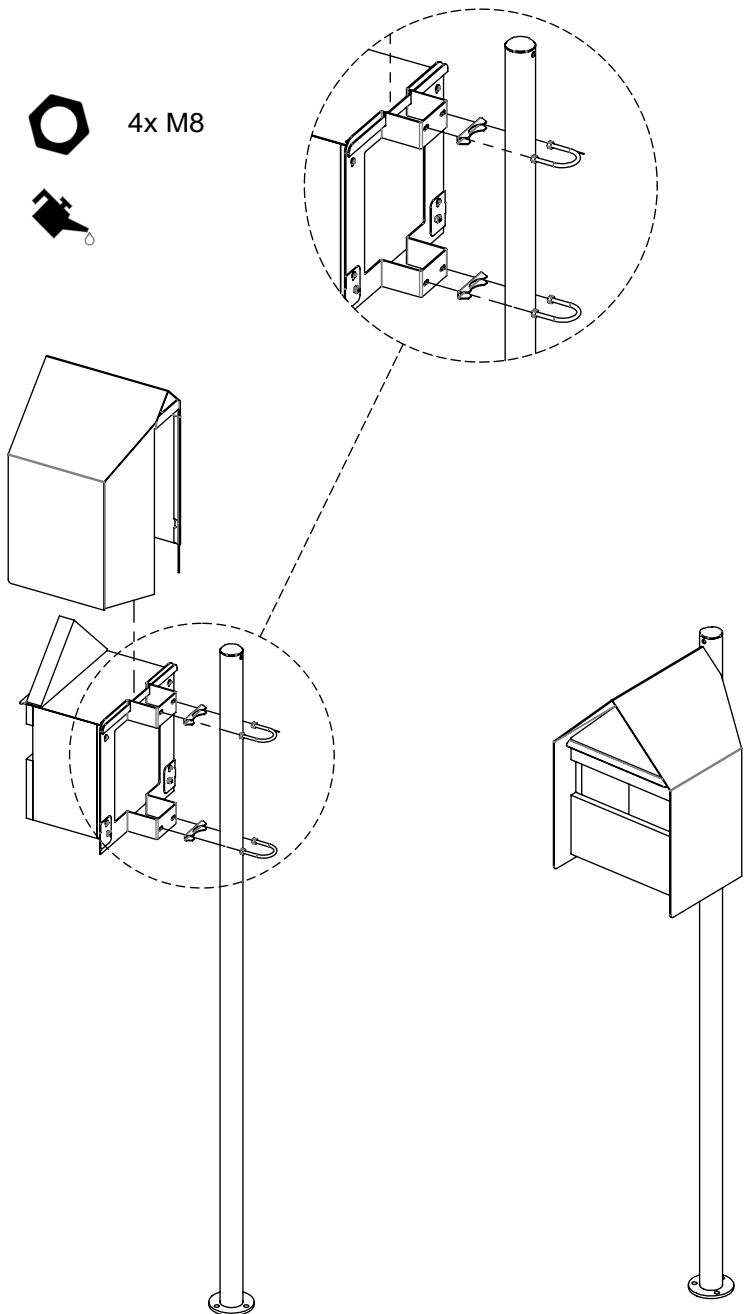


Article no: 5824

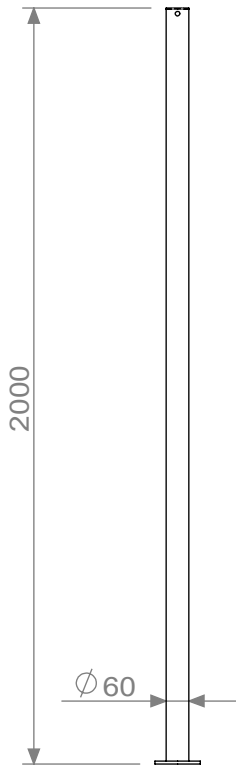
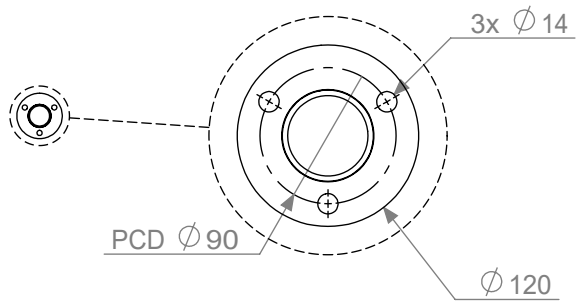


Article no: 5826





5827A - Baseplate
Weight: 11 Kg



5827C - Casting
Weight: 13 Kg

