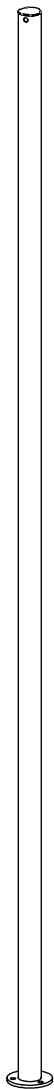


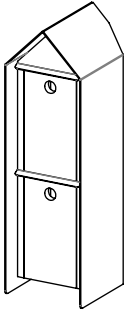
vestre

Habitats

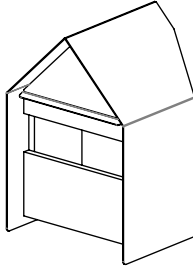
Article no: 5828A & 5828C



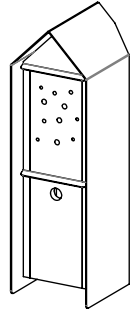
16-18 Kg



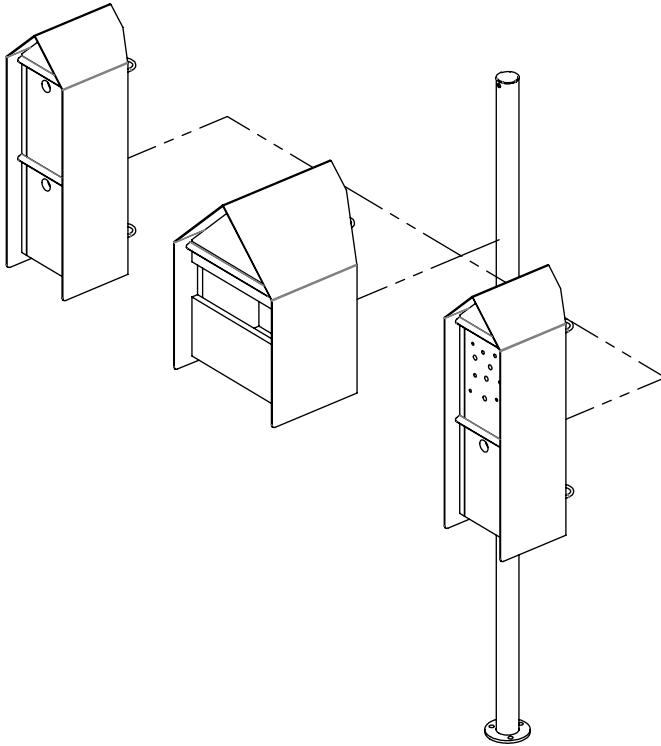
Article no: 5825



Article no: 5824

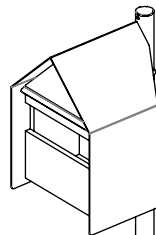
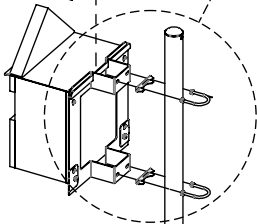
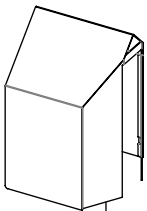
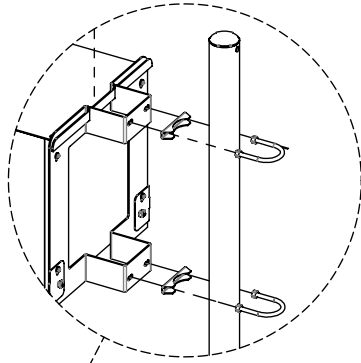


Article no: 5826

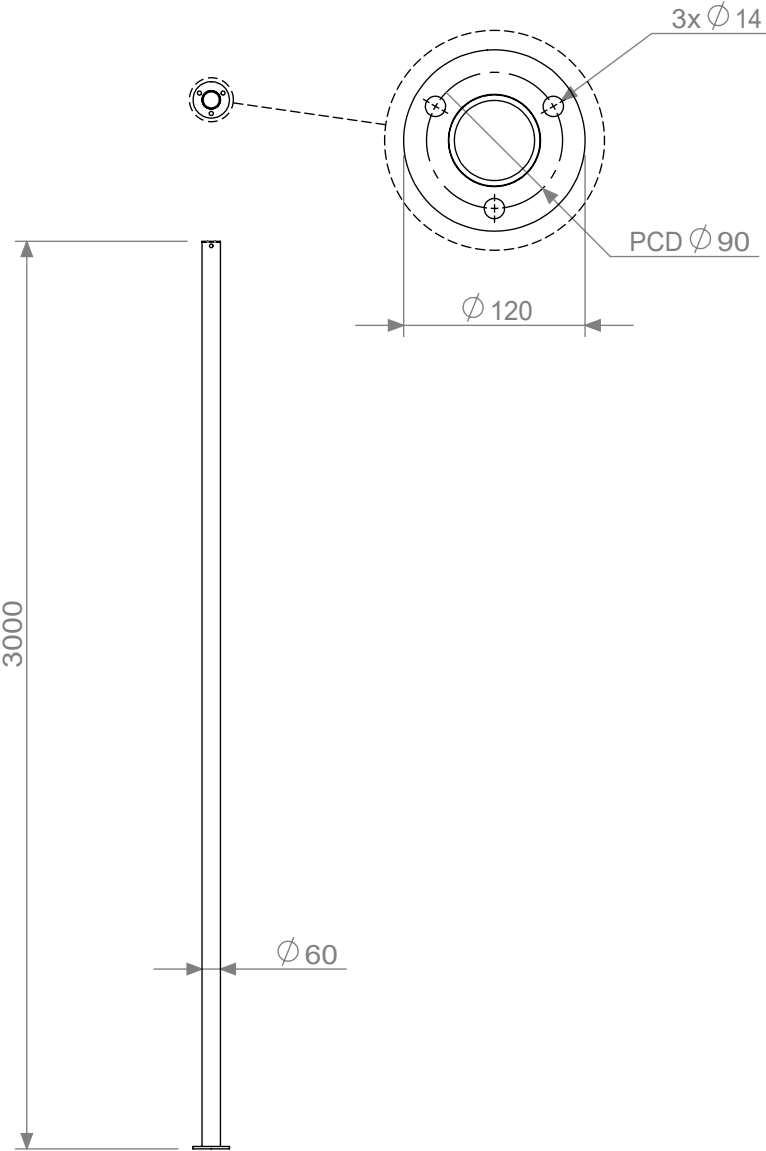




4x M8



5828A - Baseplate
Weight: 16 Kg



5828C - Casting
Weight: 18 Kg

