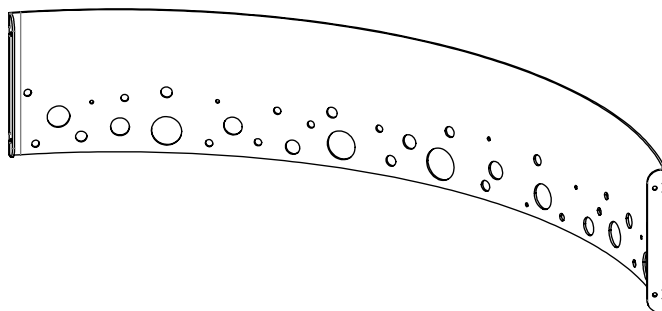
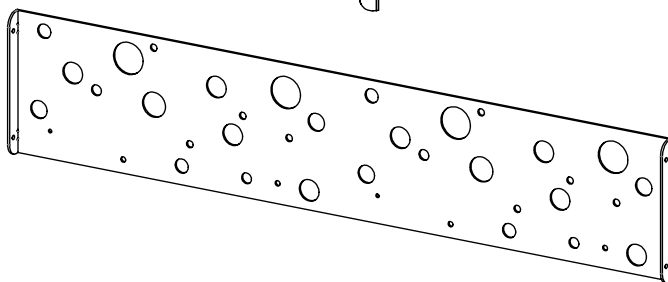
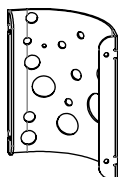
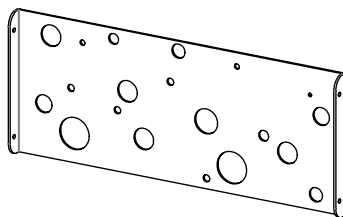


vestre

Habitats

Decay modules H400

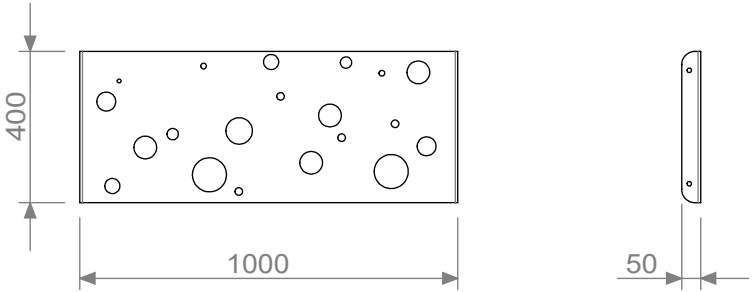
Article no: 5850-5858



8-42 Kg

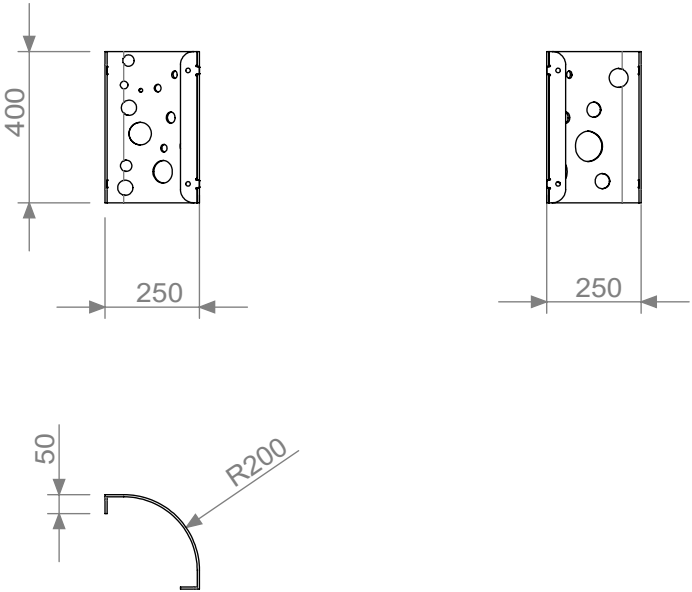
Article no: 5850

Weight: 18 Kg



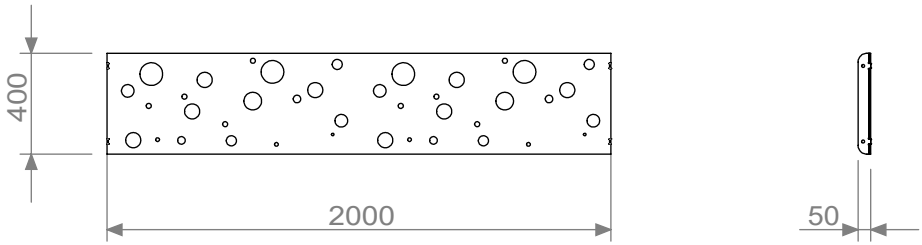
Article no: 5854

Weight: 8 Kg



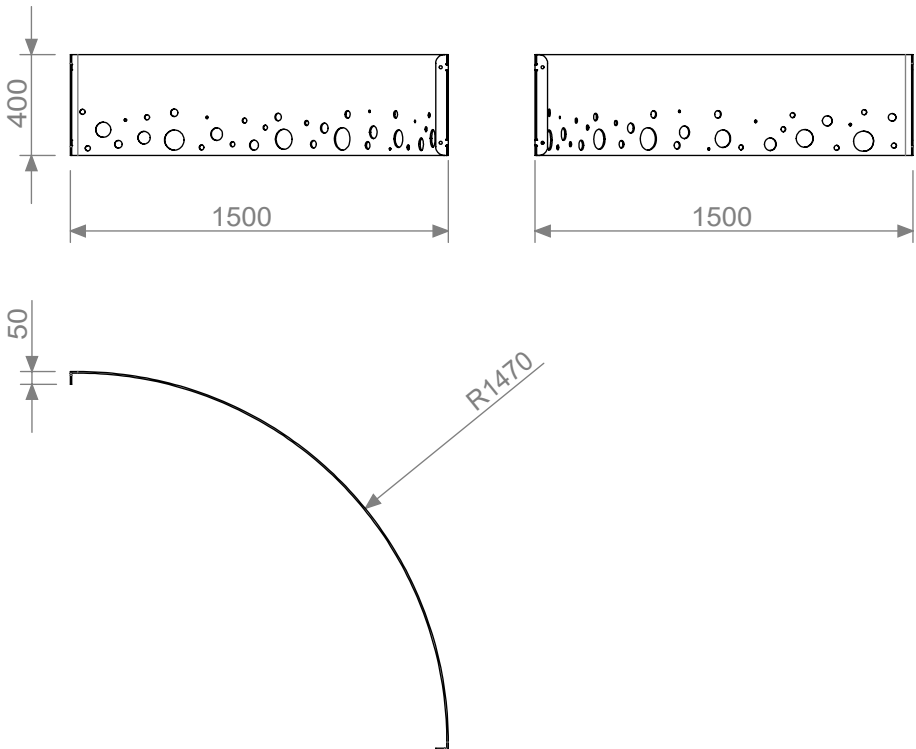
Article no: 5852

Weight: 35 Kg

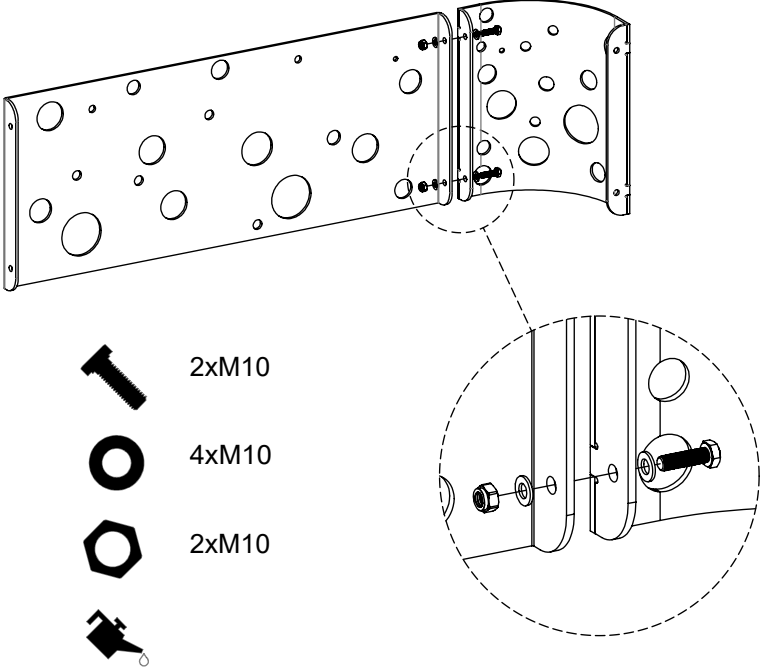


Article no: 5858

Weight: 42 Kg



Mounting the modules



All H400 modules can be combined

