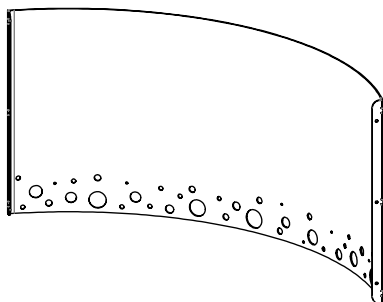
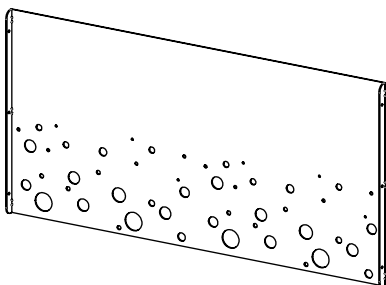
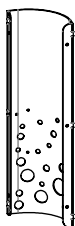
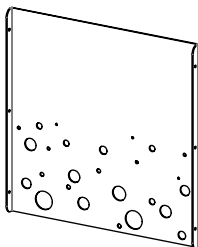


vestre

Habitats

Decay modules H1000

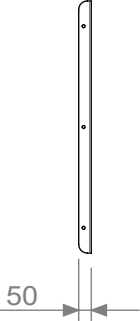
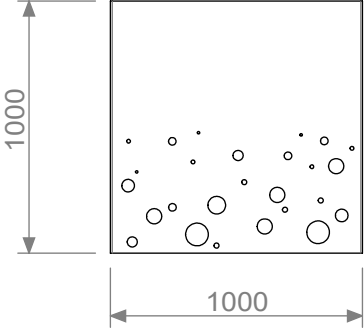
Article no: 5860-5868



22-110Kg

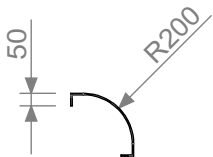
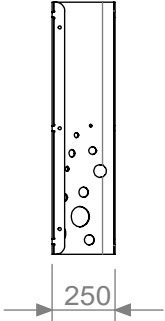
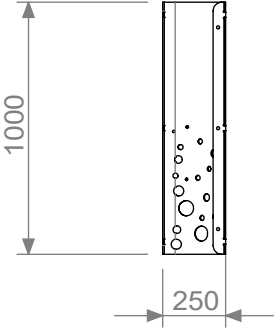
Article no: 5860

Weight: 48 Kg



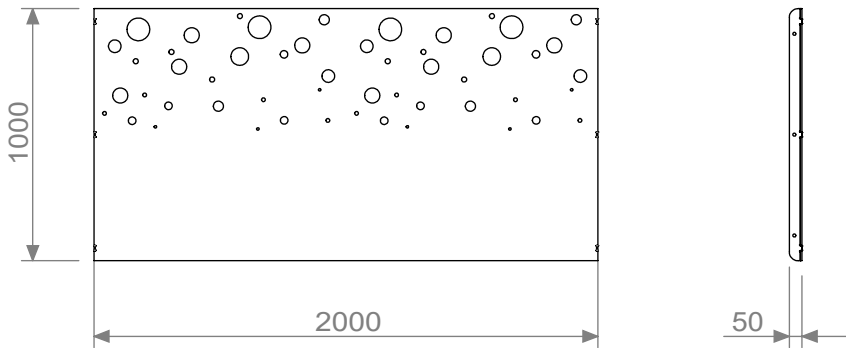
Article no: 5864

Weight: 22 Kg



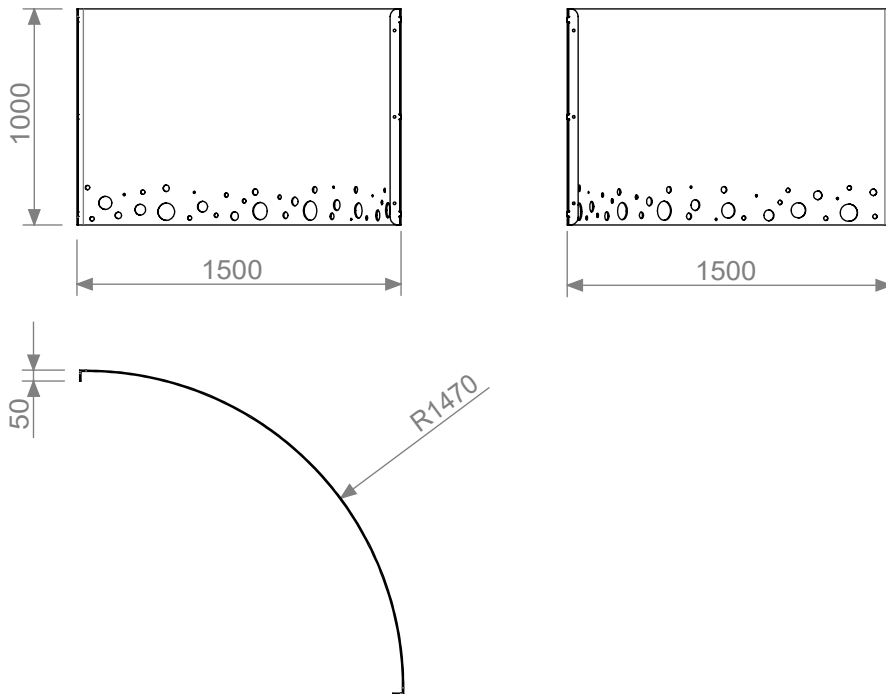
Article no: 5862

Weight: 92 Kg

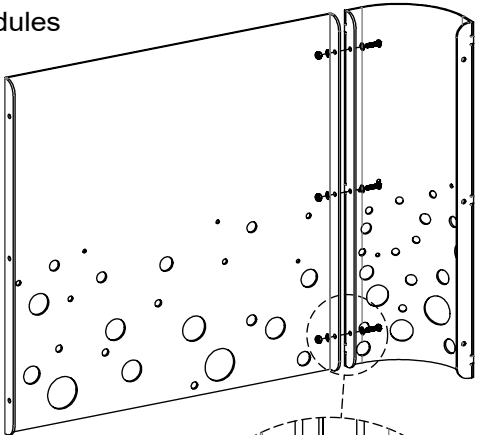


Article no: 5868

Weight: 110 Kg



Mounting the moudules



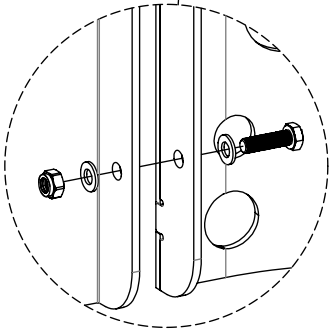
3xM10



6xM10



3xM10



All H1000 modules can be combined

