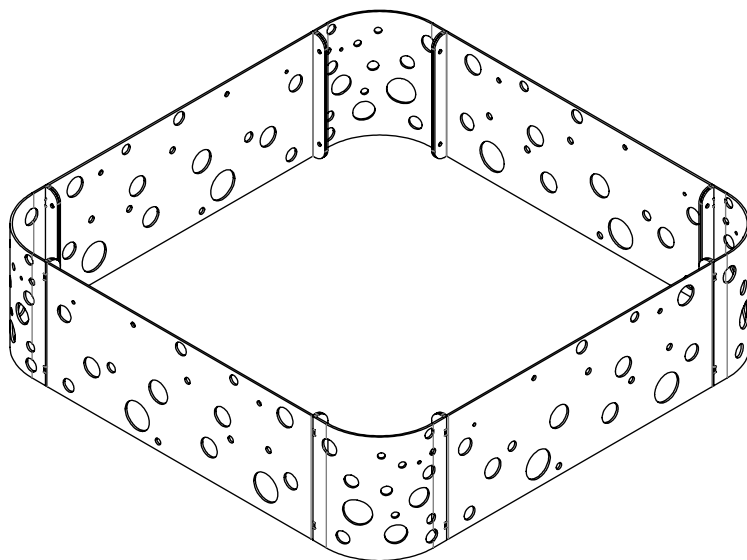


vestre

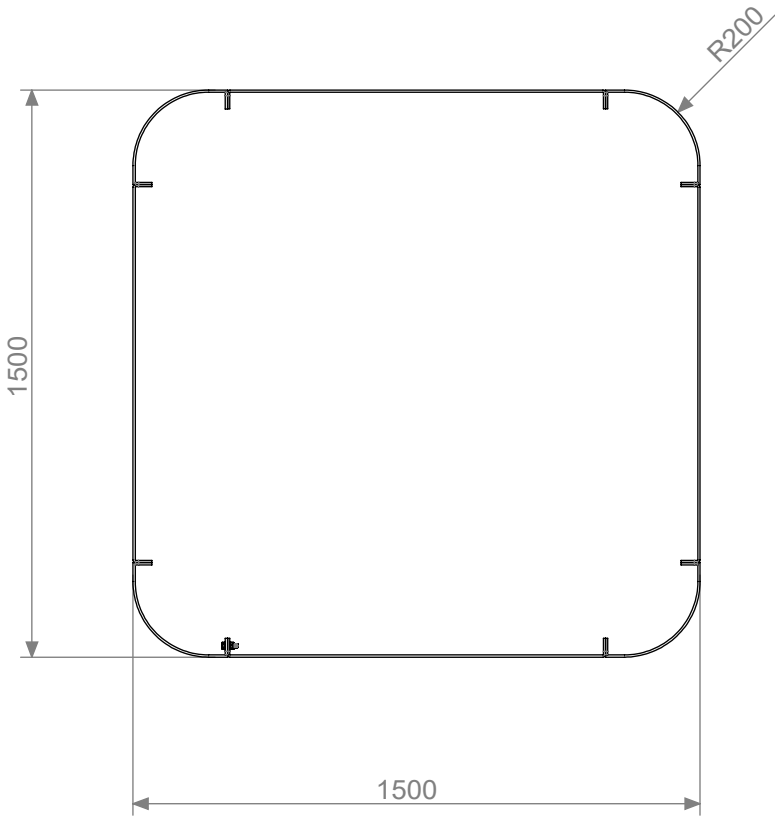
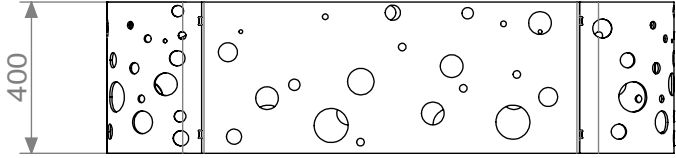
Habitats

Planter

Article no: 5880



105 Kg





16xM10



32xM10



16xM10

