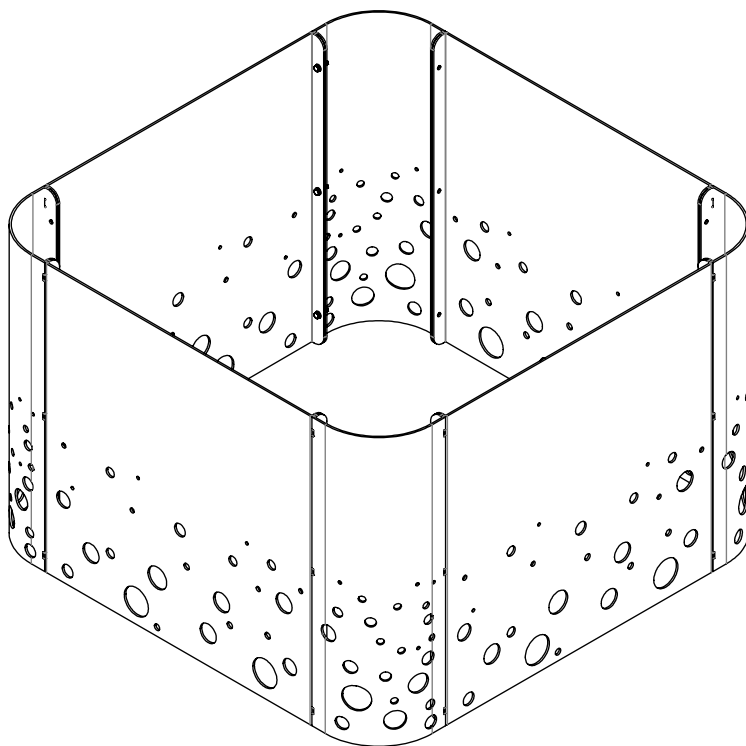


vestre

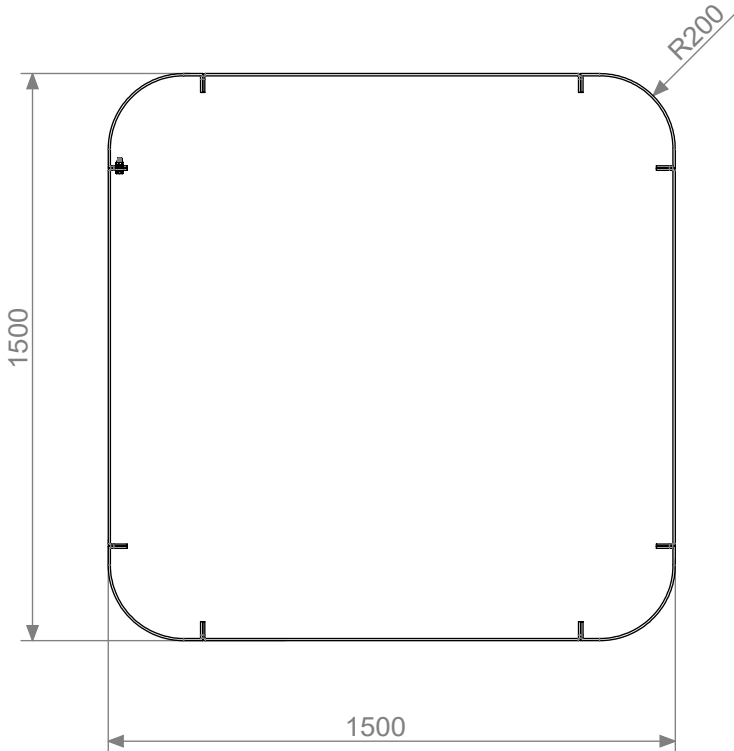
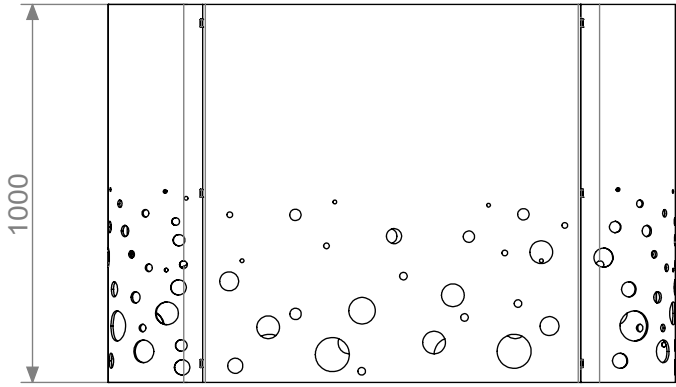
# Habitats

Planter

Article no: 5884



278 Kg





24xM10



48xM10



24xM10

