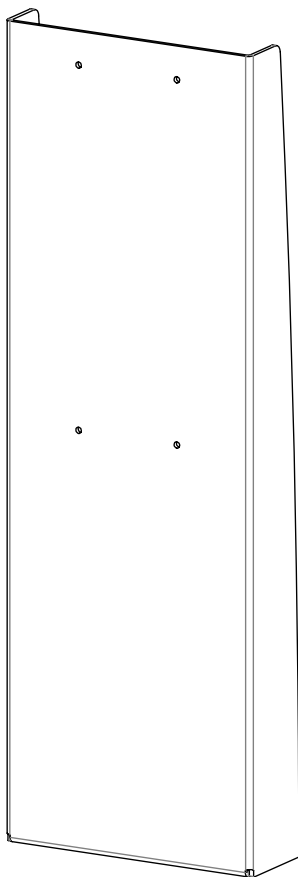


vestre

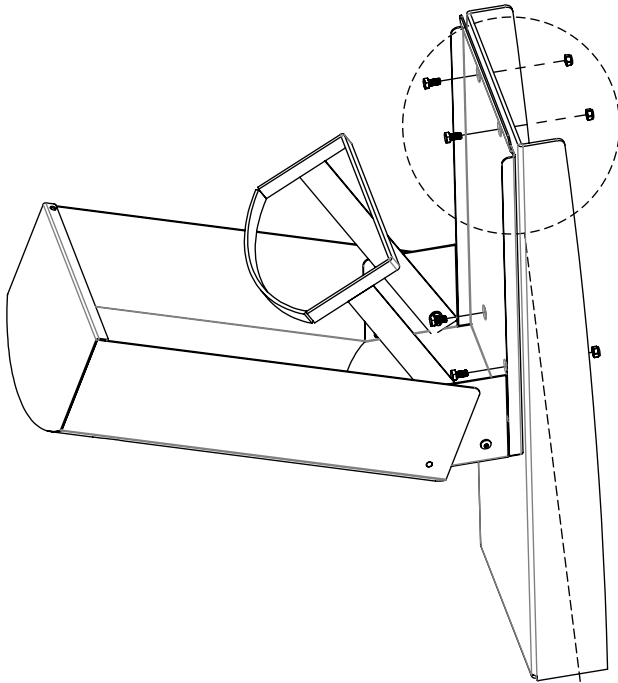
# Urban

Mounting pole

Article no: 592A, 593C



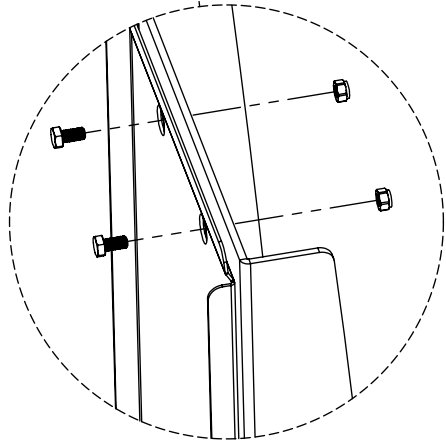
17 Kg

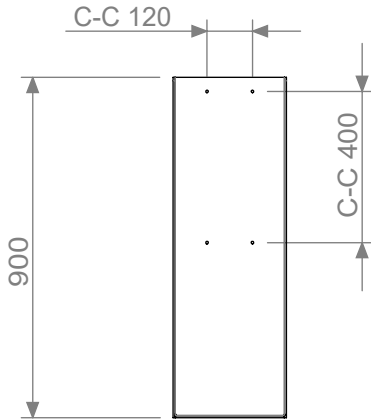


4x M8x16

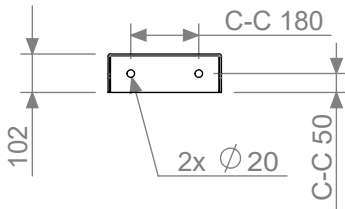
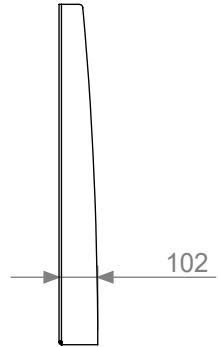


4x M8





592A - Baseplate



593C - Casting in the ground

