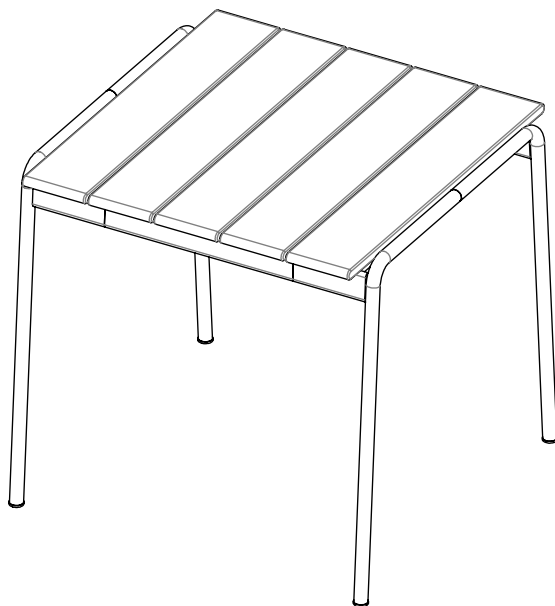


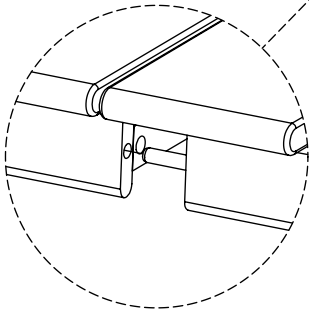
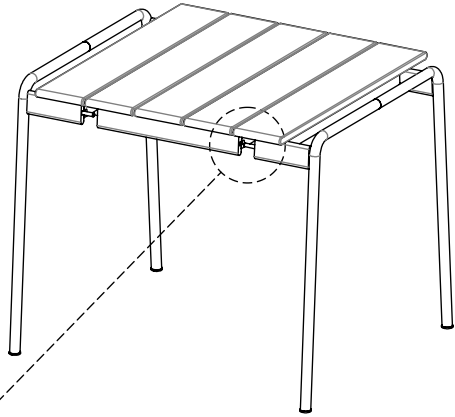
vestre

Kinn

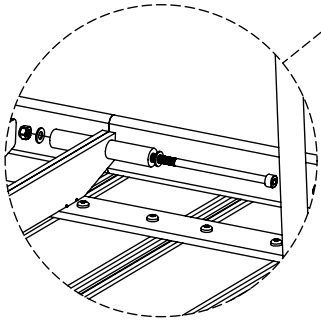
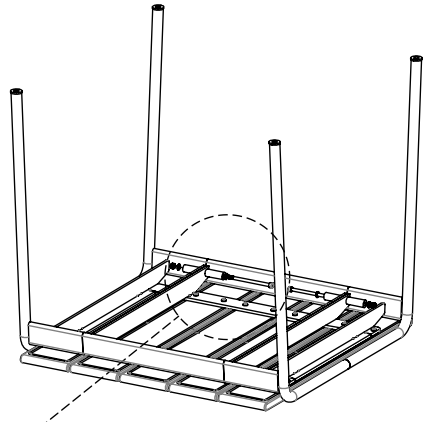
Table, square
Article no: 6130



55 Kg



4x $\varnothing 10$



4x M8

4x M8

8x M8

