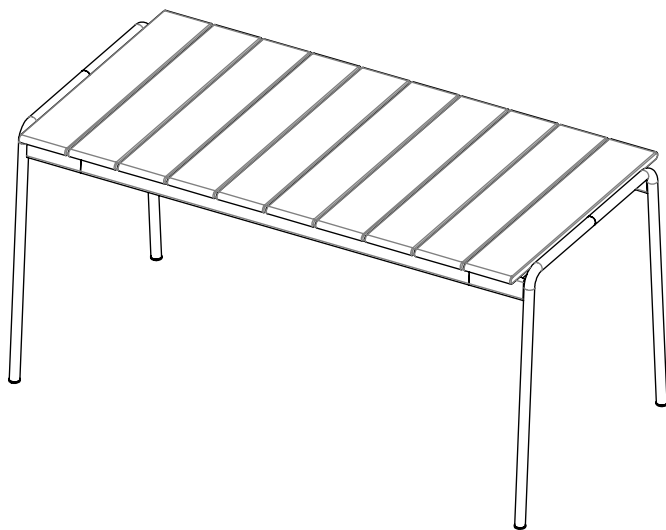


vestre

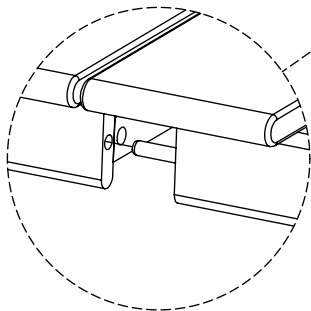
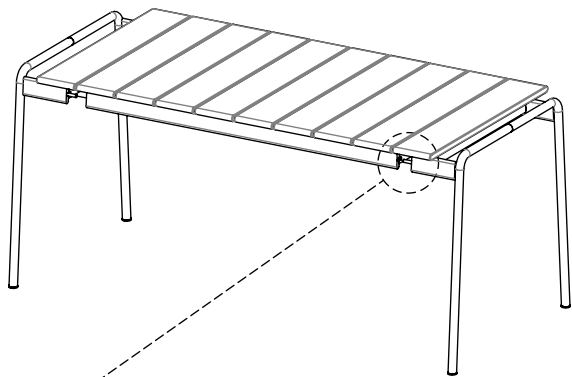
Kinn

Table, rectangular

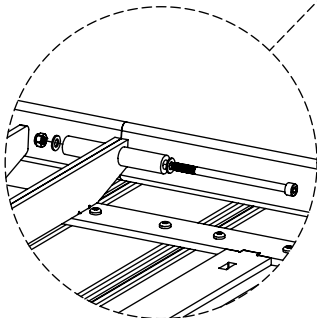
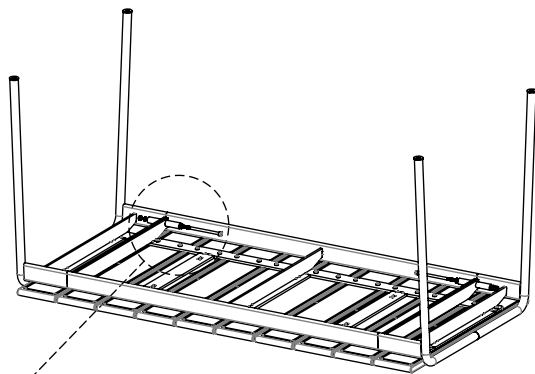
Article no: 6133



81 Kg



4x $\varnothing 10$



4x M8



4x M8



8x M8



