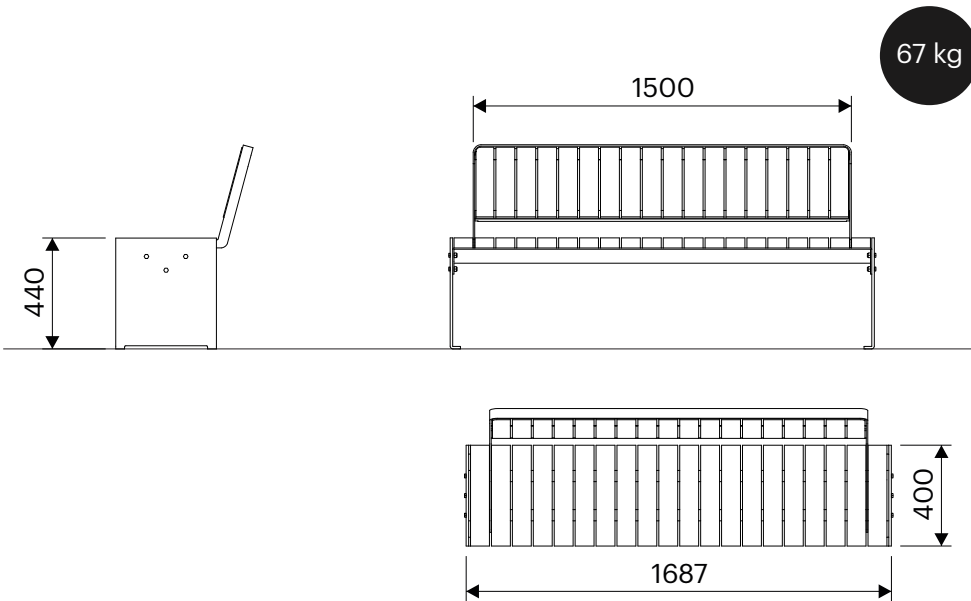
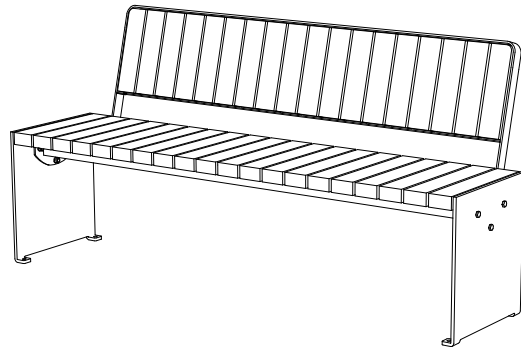




Vroom

Article no: 617



www.vestre.com

All designs, drawings and pictures are the intellectual property of Vestre and are protected by Norwegian and international copyright laws. You may not use, distribute, modify, reproduce or otherwise exploit Vestres designs, drawings and pictures without prior express consent by Vestre AS.