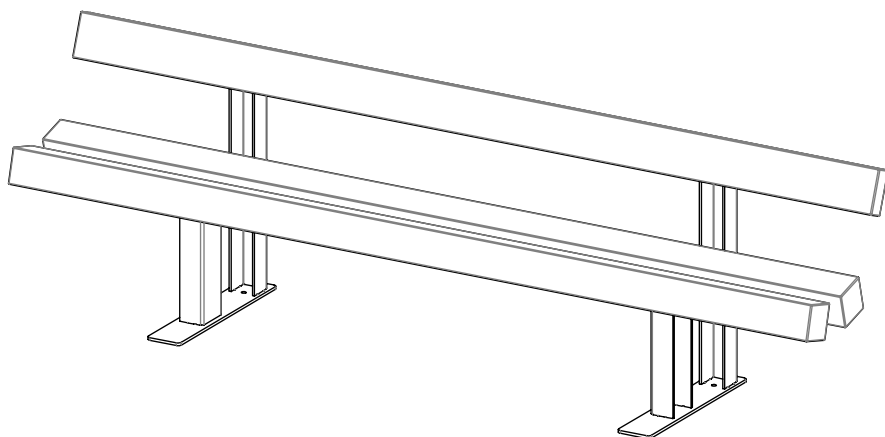


vestre

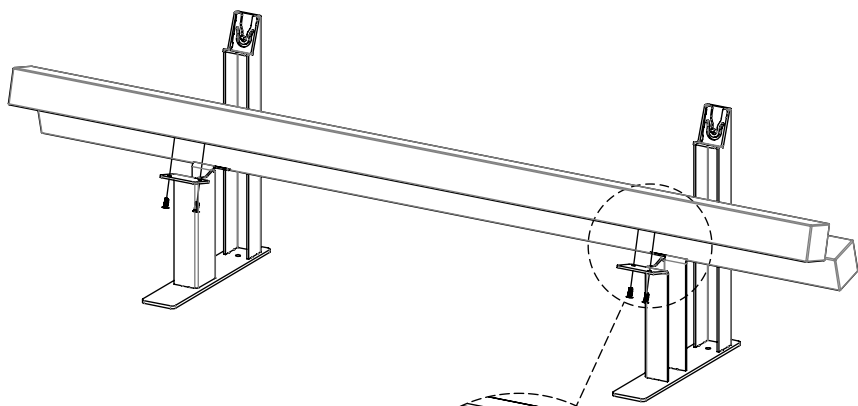
Ypsilon

seat

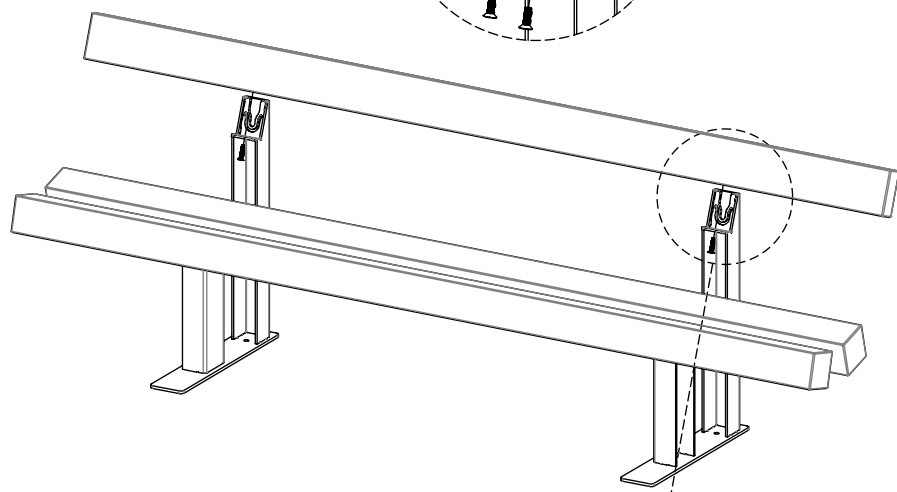
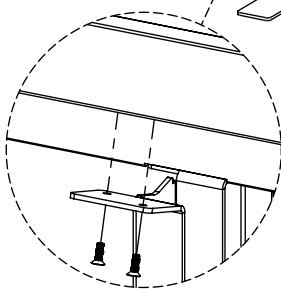
Article no: 6216



49 Kg



8x M8x25



2x M8x40

