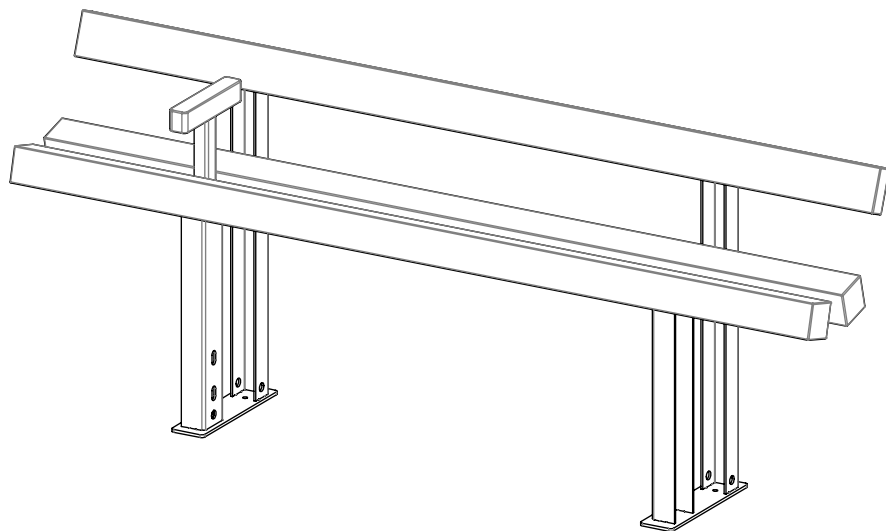


vestre

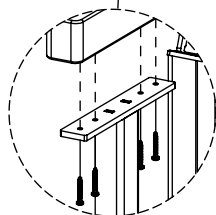
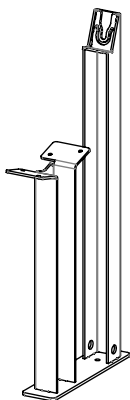
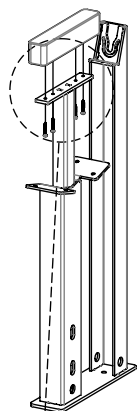
Ypsilon

Seat with armrest

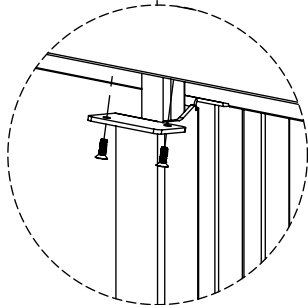
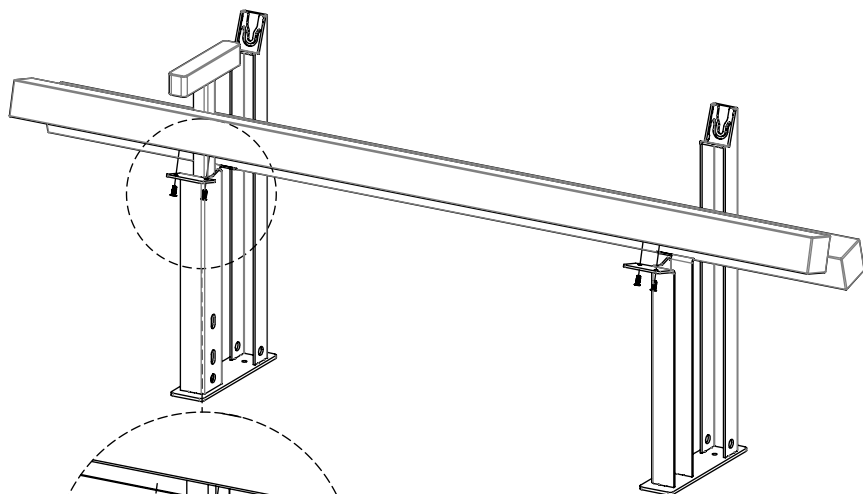
Article no: 6217C



64 Kg

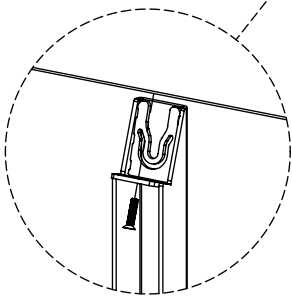
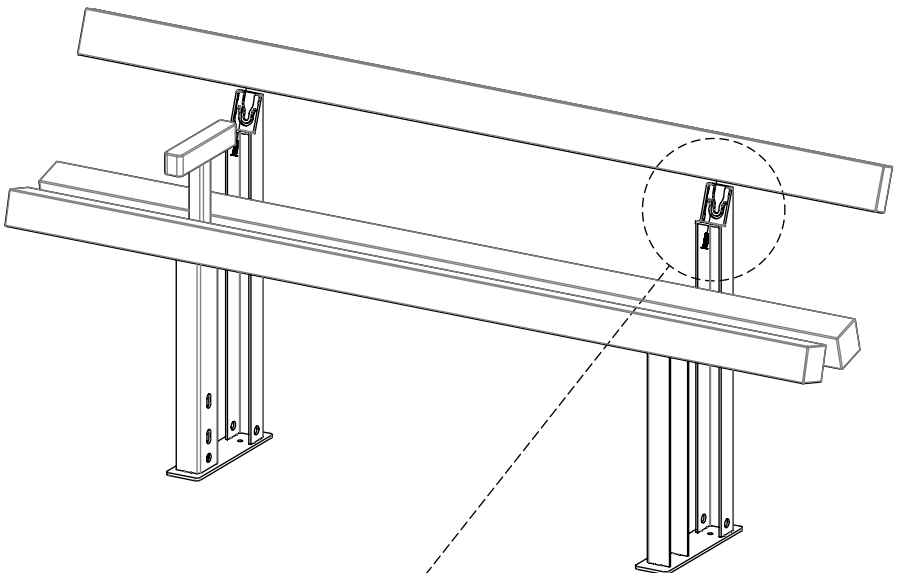


4x Ø5,5



8x M8





2x M8



