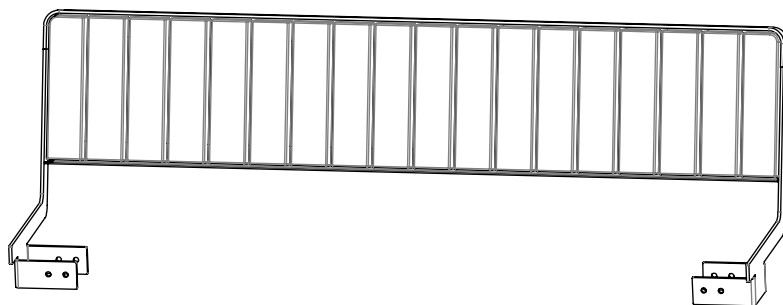


# Vroom

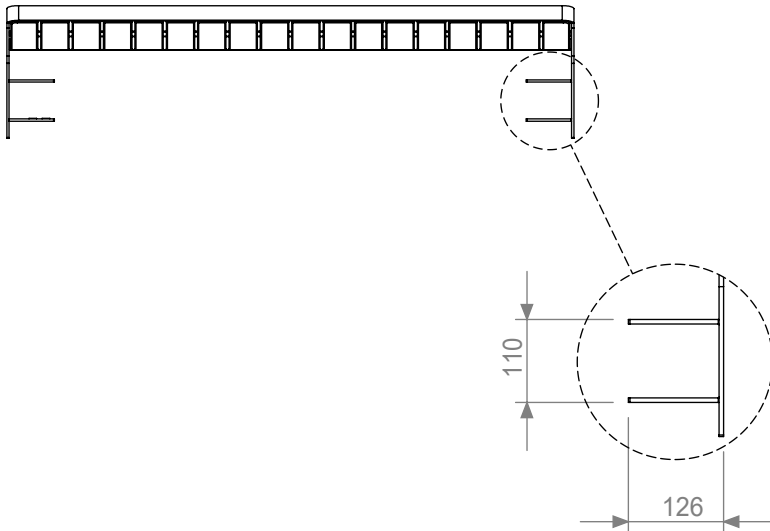
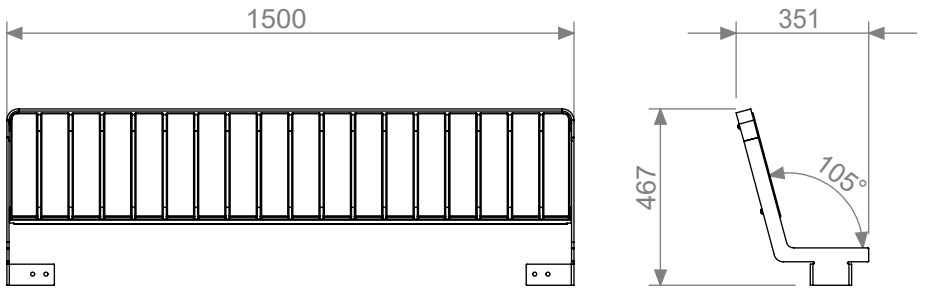
Backrest

Article no: 629



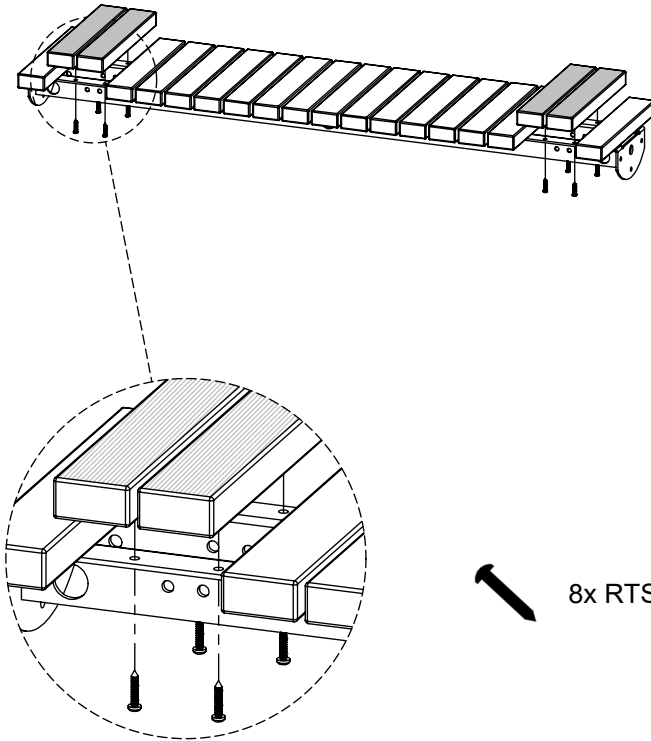
17 Kg

Dimensions backrest for standard benches & 1200 benches



Remove the planks shown  
in the picture

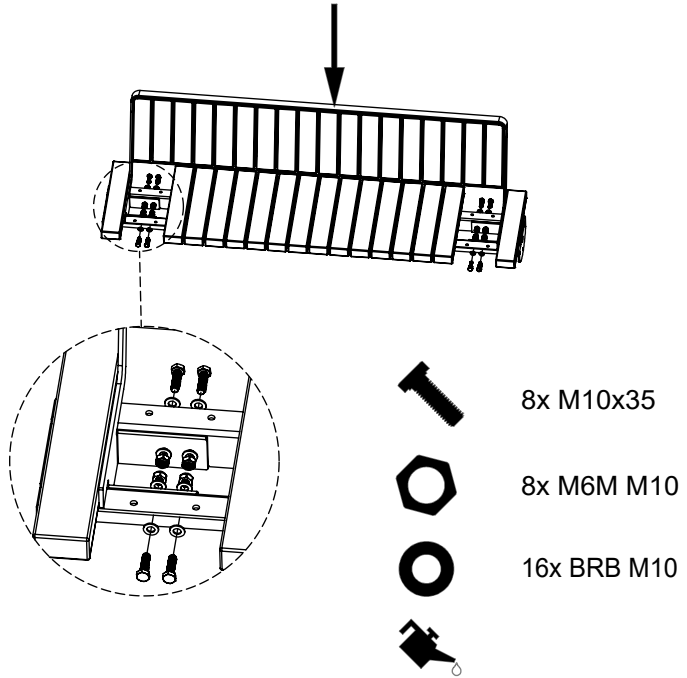
Mounting the backrest  
for standard bench sizes



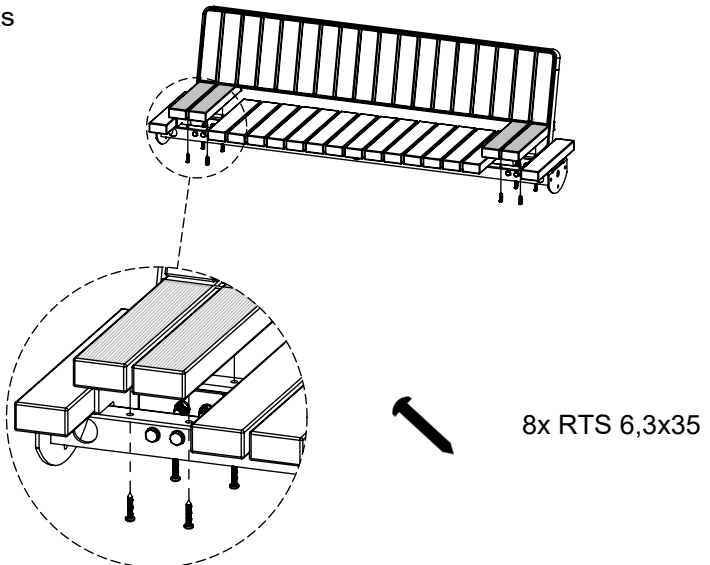
8x RTS 6,3x35

Place the backrest as shown below,  
attach it to the frame

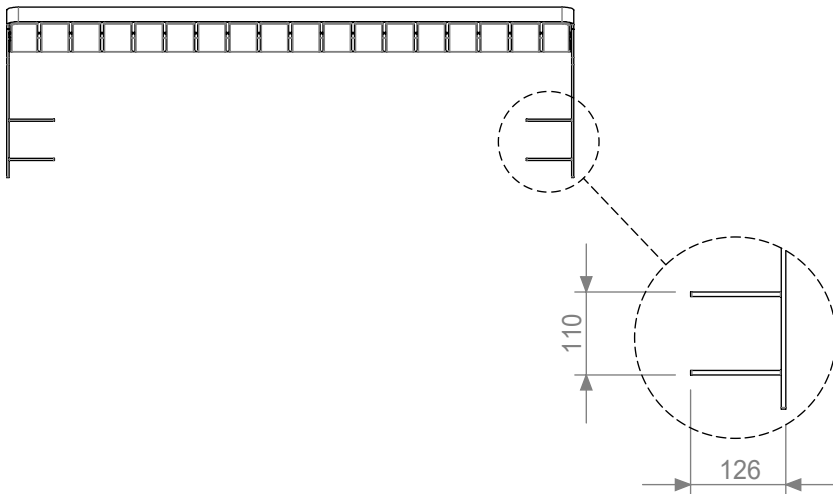
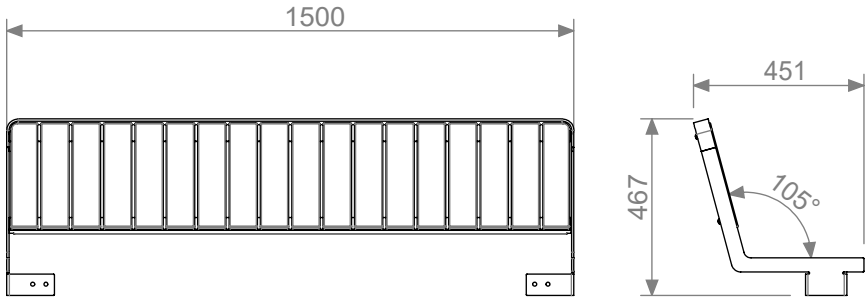
Mounting the backrest  
for standard bench sizes



Reattach the earlier  
removed planks

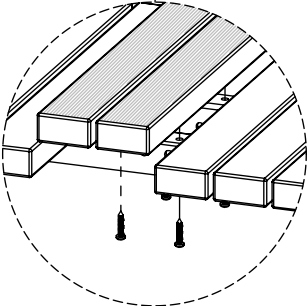
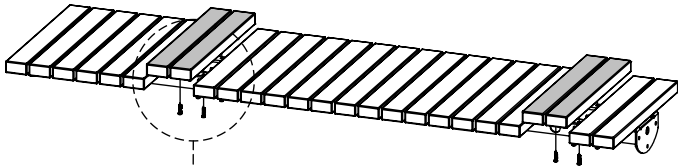


Dimensions backrest for large benches

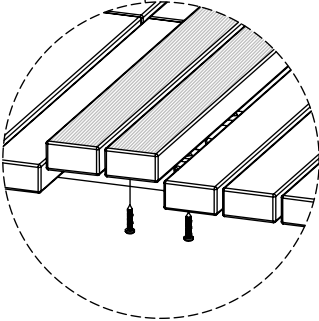
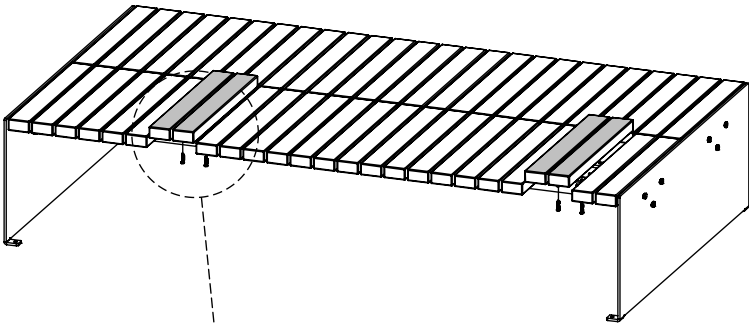


Remove the planks shown in the pictures

Mounting the backrest for large bench sizes



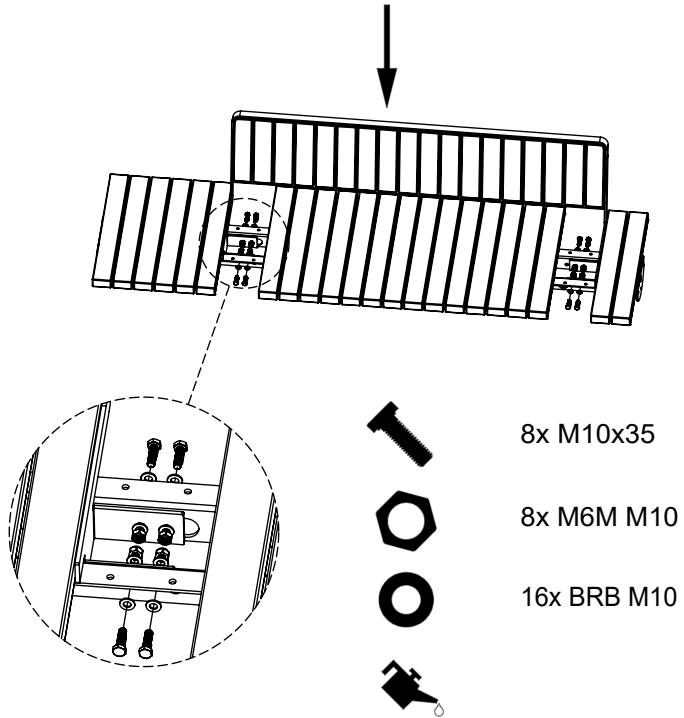
8x RTS 6,3x35



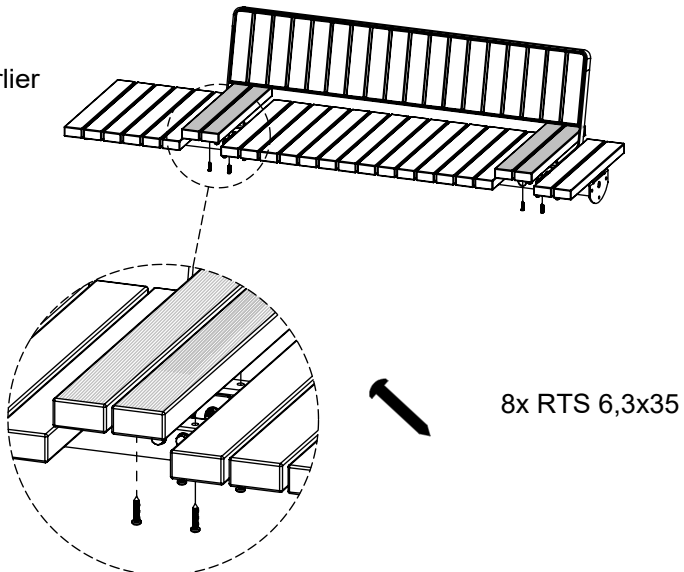
8x RTS 6,3x35

Place the backrest as shown below,  
attach it to the frame

Mounting the backrest  
for large bench sizes

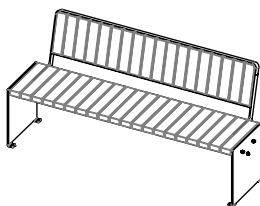


Reattach the earlier  
removed planks

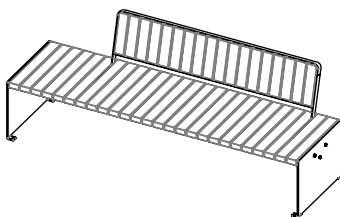


Article no: 617+629

Examples of benches  
with backrest



Article no: 609+629



Article no: 612+629

